



**ELECTRIC
COOKERS
WITH OVEN**

INSTRUCTION FOR INSTALLATION AND USE
DIE GEBRAUCHS UND INSTALLATIONSANWEISUNG
NOTICE D'INSTALLATION ET D'EMPLOI
INSTRUCTIE VOOR INSTALLATIE EN GEBRUIK
NÁVOD K OBSLUZE A INSTALACI
INSTRUKCJE MONTAŻU I OBSŁUGI
UPUTSTVO ZA INSTALACIJU I UPOTREBU
GHID DE INSTALARE SI UTILIZARE
ИНСТРУКЦИИ ПО ИСПОЛЬЗОВАНИЮ И УСТАНОВКЕ



**SP 90/120 E, SP 90/40 E, SP 90/80 E, SPL 90/40 E, SPL 90/80 E, SPLT 90/80 11 E,
SPLT 90/80 21 E, SPQ 90/40 E, SPQ 90/80 E, SPQT 90/80 11 E, SPQT 90/80 21 E,
SPT 90/120 21 E, SPT 90/80 11 E, SPT 90/80 21 E**





CONTENT

Declaration of a standards conformity	3
Instruction for use	7
Cleaning and maintenance	9

INHALT



Die Normenübereinstimmungsdeklaration	10
Gebrauchsanweisung	14
Die Reinigung und Instandhaltung	16

CONTENU



Déclaration de conformité	17
Mode d'emploi	21
Nettoyage et entretien	23

INHOUD



De verklaring van overeenstemming met de normen	24
Gebruiksaanwijzing	29
Reiniging en onderhoud	31

OBSAH



Prohlášení o souladu s normami	37
Návod k použití	41
Čistění a údržba	43

TREŚĆ



Oświadczenie o zgodności z normami	44
Instrukcja obsługi	48
Czyszczenie i konserwacja	50

SADRŽAJ



Izjava o saglasnosti Sa normama	57
Uputstvo za upotrebu	61
Čišćenje i održavanje	63

CONȚINUT



Declarație de conformitate cu regulile	67
Ghid de utilizare	70
Curățare și mentenanță	72

СОДЕРЖАНИЕ



Декларация о соответствии стандартам	80
Руководство по эксплуатации	85
Очистка и техническое обслуживание	---

DECLARATION OF A STANDARDS CONFORMITY

The producer confirms that the devices agree with 2014/30/EU, 2014/35/EU standards, rule nr. 117/2016 sb., 118/2016 sb. and with relevant government orders. Instalation must be done with respect to valid standards. Attention, the producer refuses any responsibility in case of direct or indirect damages which are caused due to wrong instalation, incorrect intervention or modification, insufficient maintenance, incorrect use and also possibly caused by other reasons presented by items in sale conditions. This appliance is set only for skilled use and must be operated by qualified persons only. Parts set and secured by the producer or accredited person must not be rebuilt by user.

TECHNICAL DATA

Label with technical data is placed on the back side of the device. Study the electrical diagram of connection and all following information before instalation.

Type of product	Power of oven (kW) / size	Power of hotplate (kW)	Overall power (kW)	Voltage (V/Hz)	Dimension (cm)
SPT 90/80 11 E	3,1 / GN 1/1	4 x 3,5	17,1	400/3N/50	80x90x90 v
SPT 90/80 21 E	6,3 / GN 2/1	4 x 3,5	20,3	400/3N/50	80x90x90 v
SPT 90/120 21 E	6,3 / GN 2/1	6 x 3,5	21,3	400/3N/50	120x90x90 v
SP 90/80 E	-	4 x 3,5	14,0	400/3N/50	80x90x90 v
SP 90/40 E	-	2 x 3,5	7,0	400/3N/50	40x90x90 v
SP 90/120 E	-	6 x 3,5	21	400/3N/50	120x90x90 v
SPLT 90/80 - 11 E	3,1 / GN 1/1	4 x 2,5	13,1	400/3N/50	80x90x90 v
SPLT 90/80 - 21 E	6,3 / GN 2/1	4 x 2,5	16,3	400/3N/50	80x90x90 v
SPL 90/80 E	-	4 x 2,5	10,0	400/3N/50	80x90x90 v
SPL 90/40 E	-	2 x 2,5	5,0	400/3N/50	40x90x90 v
SPQT 90/80 - 11 E	3,1 / GN 1/1	4 x 3,5	17,1	400/3N/50	80x90x90 v
SPQT 90/80 - 21 E	6,3 / GN 2/1	4 x 3,5	20,3	400/3N/50	80x90x90 v
SPQ 90/80 E	-	4 x 3,5	14,0	400/3N/50	80x90x90 v
SPQ 90/40 E	-	2 x 3,5	7,0	400/3N/50	40x90x90 v

PACKING AND DEVICE CHECK

The device leaves our stocks properly packed with appropriate symbols and labels. There are also appropriate instructions for use. In case the packing shows bad handling or damage, it must be reclaimed at transporter immediately by writing and signing of a damage protocol.

Important notice:

-This product is only intended for use inside.

Never use the appliance if it has a damaged supply cable or plug, if it is not working correctly, has fallen to the ground and been damaged or fallen into water. In such cases take the appliance to a professional service in order to verify that it is safe and works correctly.

- only for professional use
- this instructing guide must be read properly and carefully because it contains important information about safety elements, installation, use
- these recommendations refer to this product
- this product corresponds with valid standards
- this guide must be properly deposited for future use
- keep the children away from manipulation with the product
- when selling or moving the product to another place it is necessary to make yourself sure that the staff or the professional service has got acquainted with control and installation instructions from enclosed guide
- only authorised person can operate the product
- it can not be switched on without supervision
- we recommend to have the product checked by professional service min. once a year
- only original spare parts can be used for repairs
- the product can not be cleaned by the water jet or pressure shower
- by damage or break down disconnect all the feeders (water, gas, electricity) and call professional service
- producer refuses any responsibility in case of damages caused by wrong installation, by disobeying of above mentioned recommendations or by other use etc.

PLACEMENT

The device must be installed in well ventilated room what is necessary for regulation of the function of the device (technician must go by valid standard (EN....)). If the device is situated close to the wall or if it is in contact with the furniture walls, these walls must resist the temperatures ranging to 90°C. Installation, setting, putting into operation must be done by qualified person who is competent for this and according to the valid standards.

Wrap up the device and check whether it was not damaged during transport. Settle the device on horizontal surface (max imbalance 2°). Settle the device under the fume hood to eliminate water steam and bad smell. The device can be installed separately or in a set with devices of our production. Min. distance 10 cm from other subjects must be kept. It is also necessary to prevent our product from contact with combustible materials. In this case you must make corresponding changes to secure heat isolation of combustible parts. Safety measures from the standpoint of the fire protection according to EN 061008čl. 21:

TECHNICAL INSTRUCTIONS FOR INSTALATION AND REGULATION

Important:

The manufacturer does not provide warranty for defects caused by improper use, failure to instructions contained in the attached instructions for use and mistreatment of the appliances.

Installation, adjustment and repair of appliances for kitchens, as well as their removal because of possible damage to the gas can be carried out only under a maintenance contract, this contract may be signed with an authorized dealer, and must be complied with regulations and technical standards and regulations regarding the installation, power supply, gas connection and health & safety system.

These instructions are intended for the qualified technician who must perform the installation, put it into operation and test the appliance.

Any activity as settings, placement, rebalancing etc, must be made only when is device disconnected from electricity. If it is necessary to have the device connected to the electricity you must keep the highest attention to avoid any injuries.

DEVICE INSTALATION

Instalation, setting, rebuilding for another gas type, putting into operation must be done by qualifi ed person whois competent for this and according to the valid standards. The device can be instalated in good ventilated room. When it is possible place the device under the fumehood to suck off the products of combustion. Air needy to the burning is $2m^3/h/kW$ ot the performance of the instaled device. The device can be instalated separately or in a set with devices of our production. Min. distance 10 cm from other subjects must be kept.It is also necessary to prevent our product from contact with combustible materials. In this case you must make corresponding changes to secure heat izolation of combustible parts (for example:place between the device and combustible material azbestos plate).

SAFETY MEASURES FROM THE STANDPOINT OF THE FIRE PROTECTION ACCORDING TO EN 061008 ČL. 21

- only adults can operate the device
- device must be safely used in common surroundings according to EN 332000-4-462; EN 332000-4-42. You must switch the gas device off under the circumstances leading: to the danger of the temporary rise of the combustion gas or steam or during works when there is a big possibility of rise of the temporary fire danger or explosion (for example: to stick linoleum, PVC etc.).
- before you start to instal the device you must get the licence for connection to the gas feeder from the gasworks
- device must be placed so as to stand or hang on the noncombustible surface which is on each side 10 cm larger than the device. No subjects from combustible materials can be placed directly on the device or in distance which is shorter than safety distance (the shortest distance is 50 cm in the direction of the heat emission and 10 cm in other directions).- safety distances from various materials of different degree of combustion and information about the degree of comb. of common building materials - see chart:

Chart:

Combustion degree of building materials classified according to the combustion degree of materials and products (EN 730823)

A noncombustible	granit, sandstone, concretes,bricks, ceramic wallfacing tiles, plaster
B uneasily combustible	akumine, heraklite, lihnos, itavere
C1 hardly combustible	leafy wood, plywood, sirkoklit, rare paper formica
C2 middle combustible	fibreboards, solodure, cork boards, rubber,floor-coverings
C3 easily combustible	wood-fibreboards, polystyrene,polyurethane, PVC

Devices must be instalated in a safe way. When instaling you must respect corresponding project, safety and hygienic orders according to:

- EN 061008 fire protection of local devices and sources of heat
- EN 332000 (33 2000-4-482; 33 2000-4-42) surrounding for electric devices ČSN EN 1775 Gas supplying
- Gas fi ttings in the buildings - the highest operational pressure < 5 bar - operation demands
- § 10 law nr. 185/2001 Sb. about waste


CONNECTION OF THE ELECTRIC CABLE TO THE ELECTRICITY

Instalation of electric feeder - This feeder must be separetely protected by a safety fuse according to the specific electric stream which depends on the wattage of the instaled device. Check the wattage on the label at the back of the device. Connect the device directly to the electricity but you must put the switch between the device and electric net. The switch must be placed in min. distance 3 mm between the particular contacts according to the standards and loading. The feeder of grounding (yellow-green) cannot be interrupted by this switch. In every case feeding cable must be placed so that no point of the cable will reach the temperature which is 50°C higher than the temperature of the surrounding. Before connecting the device check that:

- safety fuse of the feeder and inner mains can stand the loading of the device (see label of the matrix)
- mains are equipped with effective grounding according to standards (ČSN) and conditions given by law
- socket or switch of the feed is well accessible from device

We refuse any responsibility in case of not respecting above mentioned rules. Before the first use it is necessary to remove all the protection foil and to clean the device - see chapter „cleaning and maintenance“.

Maintenance: We recommend to have the device checked once a year by the proffesional service. Only qualified or competent persons can do interventions in the product.

-  -Do not insert the power cable plug into the el. socket and do not pull it out of the el. socket with wet hands or by pulling on the cable!
- Do not use extension cables or power strips.

INSTRUCTION FOR USE

Switching on hotplates

Switch on hotplate with control knob into desired power - position „1÷6“. When green control light starts lighting, it means hotplate is energized. When need to hotplate switch off, set the control knob back into position „0“.

Timer

The timer is only used to indicate the set time

Controlling of the convection oven

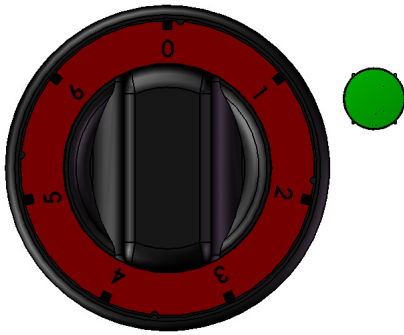
Turn the control knob to the right, will turn on the fan. This is signalized with a green LED. After that, set the control knob into desired temperature. Working of the heater is indicated by orange LED, when light goes off, the oven is preheated to the desired temperature. Turn off the oven by turning left into the "0".

Controlling of the static oven

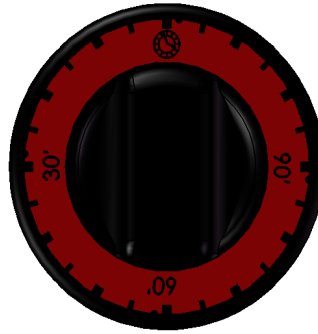
You can choose to switch the control knob into select position for top and bottom heaters at the same time (position 1), or just the bottom heater (position 3) or upper heater (position 2). This is indicated by green LED. Set the control knob into desired temperature. Working heater is indicated by orange LED, when light goes off, the oven is preheated to the requested temperature. Turn off the oven by turning both knobs to "0".

Control knobs

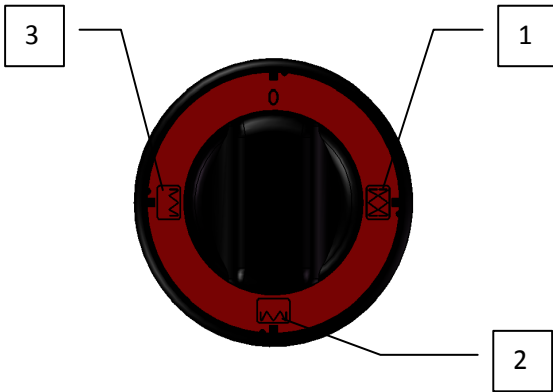
Hotplate control knob



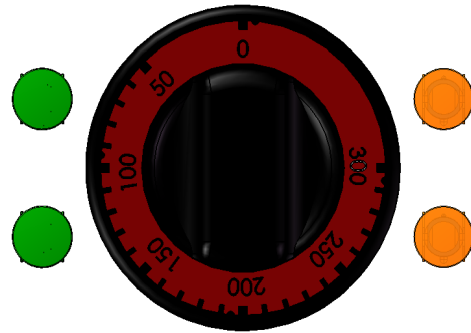
Timer control knob



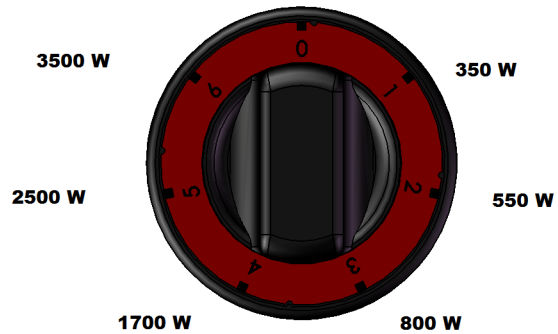
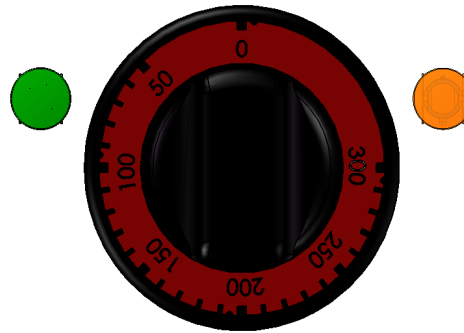
Oven control knob



Oven thermostat control knob



Convection oven control knob



CLEANING AND MAINTENANCE

It is recommended to have the device checked by the professional service min. once a year. All interventions must be done by qualified person who is competent for this.

ATTENTION!

The device cannot be cleaned by direct or pressure water. Clean it daily. Daily maintenance keeps longer useful life and efficiency of the device. Before cleaning make sure to have disconnected the device from electricity. Always switch off the main feeder to the device. Stain-less parts wash with moist cleaning cloth and detergent without groove parts than wash it with clean water and dry it by the cloth. Do not use abrasive and corrosive detergents.

WHAT TO DO IN CASE OF BREAK-DOWN

Switch off the electric feeder and call seller's professional service.

INDICATION:

Guarantee does not cover all consumption parts succumable to common wear (rubber seals, bulbs, glas and plastic parts etc.). The guarantee does not refer to the devices which were not instaled in correspondance with instructions - by qualified worker, in confirmity with standards and when somebody handled incompetently the device (interventions into inner equipment) or the device was operated by nonqualified staff or at variance with instructions for use. Guarantee does not also cover the damages caused due to influence of nature or other outer intervention.

DIE NORMENÜBEREINSTIMMUNGSDOKUMENTATION

Der Produzent erklärt, daß die Geräte in einer Übereinstimmung mit den Vorschriften der 2014/35/EU, 2014/30/EU dem Gesetz Nr. 118/2016 sb., 117/2016 sb. der Sammlung und zugehörigen Regierungsverordnungen stehen. Die Installation muss mit der Absicht auf geltende Normen durchgeführt werden. Vorsicht, im Falle einer direkten oder indirekten Beschädigung, die sich auf falsche Installation, unrichtigen Eingriff oder Anpassungen, ungenügende Instandhaltung, unrichtige Verwendung beziehen, und welche eventuell durch andere Ursachen, als in Punkten der Verkaufsbedingungen angeführt ist, so verzichtet der Importeur auf jegliche Verantwortung. Dieses Gerät ist nur für fachliche Verwendung bestimmt und muß durch qualifizierte Person bedient werden. Teile, die nach der Einstellung durch den Hersteller oder durch befugte Person gesichert wurden, dürfen vom Benutzer keineswegs umgestellt werden.

DIE TECHNISCHEN DATEN

Das Schild mit technischen Angaben ist auf der Rückseite des Gerätes angebracht. Studieren sie vor der Installation das elektrische Schema der Einschließung und alle folgende Informationen durch.

MODEL	BACKOFEN (kW) / size	Power of Kochplatte (kW)	ANSCHLUSSWERT (kW)	SPANNUNG (V/Hz)	ABMESSUNGEN (cm)
SPT 90/80 11 E	3,1 / GN 1/1	4 x 3,5	17,1	400/3N/50	80x90x90 v
SPT 90/80 21 E	6,3 / GN 2/1	4 x 3,5	20,3	400/3N/50	80x90x90 v
SPT 90/120 21 E	6,3 / GN 2/1	6 x 3,5	27,3	400/3N/50	120x90x90 v
SP 90/80 E	-	4 x 3,5	14,0	400/3N/50	80x90x90 v
SP 90/40 E	-	2 x 3,5	7,0	400/3N/50	40x90x90 v
SP 90/120 E	-	6 x 3,5	21	400/3N/50	120x90x90 v
SPLT 90/80 11 E	3,1 / GN 1/1	4 x 2,5	13,1	400/3N/50	80x90x90 v
SPLT 90/80 21 E	6,3 / GN 2/1	4 x 2,5	16,3	400/3N/50	80x90x90 v
SPL 90/80 E	-	4 x 2,5	10,0	400/3N/50	80x90x90 v
SPL 90/40 E	-	2 x 2,5	5,0	400/3N/50	40x90x90 v
SPQT 90/80 11 E	3,1 / GN 1/1	4 x 3,5	17,1	400/3N/50	80x90x90 v
SPQT 90/40 21 E	6,3 / GN 2/1	4 x 3,5	20,3	400/3N/50	80x90x90 v
SPQ 90/80 E	-	4 x 3,5	14,0	400/3N/50	80x90x90 v
SPQ 90/40 E	-	2 x 3,5	7,0	400/3N/50	40x90x90 v

DIE VERPACKUNGS-, UND VORRICHTUNGSKONTROLLE

Die Vorrichtung verlässt unsere Lager in ordentlicher Verpackung, auf deren die entsprechenden Symbole und Bezeichnungen stehen. In der Verpackung befindet sich entsprechende Bedienungsanweisung. Falls die Verpackung eine schlechte Behandlung oder Anzeichen der Beschädigungen vorweist, muß dieses sofort beim Transporteur reklamiert werden und zwar durch Unterzeichnung eines Schadensprotokolles.

Wichtige Hinweise

-Das Erzeugnis ist nur zur Verwendung im Innenraum bestimmt.

Verwenden Sie den Verbraucher nie, wenn die Speisezuleitung oder der Stecker beschädigt sind, das Gerät nicht richtig arbeitet, ist auf den Boden gefallen und hat sich beschädigt oder ist ins Wasser gefallen. Bringen Sie in solchen Fällen den Verbraucher zu einem Fach-Kundendienst zur Überprüfung seiner Sicherheit und richtiger Funktion.

- Nur für professionellen Verbrauch geeignet
- Diese Bedienungsanleitung muss ordentlich und bedächtig gelesen werden, weil sie wichtige Informationen über Sicherheitsmerkmale, Installation und Anwendung beinhaltet
- Diese Empfehlungen beziehen auf diesen Produkt
- Der Produkt entspricht geltenden Normen
- Diese Anleitung muß ordentlich für die zukünftige Verwendung hinterlegt werden
- Hindern Sie den Kinder an Vorrichtungsm Manipulation
- Beim Verkauf oder Verlegung ist es notwendig sich zu überzeugen, daß die Bedienstperson oder Fachservis sich mit der Beherrschung und Installationsanweisung in beiliegender Anleitung, anvertraut gemacht haben.
- Das Produkt darf nur eingeschulte Bedienung bedienen
- Das Produkt darf nicht ohne Aufsicht ins Betrieb gesetzt sein
- Es ist empfohlen, minimal einmal pro Jahr eine Fachkontrolle durchführen zu lassen
- Bei eventueller Reparatur der Teilenumtauschungen müssen ausschließlich Originalteile angewendet werden
- Das Produkt darf nicht durch einen Wasserstrahl oder Druckbrause gereinigt werden
- Schalten Sie alle Leitungen (Wasser, Elektrizität, Gas) bei einer Störung oder beim schlechten Lauf aus und rufen Sie autorisierten Service an
- Der Hersteller verzichtet auf jegliche Verantwortung bei Störungen, die durch fehlerhafte Installation, Nichteinhaltung o.a. Empfehlungen, andere Verwendung u.ä, verursacht wurden

DIE PLATZIERUNG

Es ist unbedingt notwendig, zu der Regulation der Gerätetätigkeit, daß das Milieu - der Küche -, wo das Gerät installiert wird, sehr gut belüftbar ist (im Hinblick darauf: sei der Techniker sich mit geltenden Normen (EN) richtet). Wenn die Einrichtung so plaziert wird, daß sie im Mobiliarwandkontakt stehen wird, so müssen diese einer Temperatur von 90°C widerstehen. Die Installation, Herrichtung, Inbetriebnahme müssen durch qualifizierte Person, die zu solchen Vorkehrungen eine Befugnis hat und dies laut geltenden Normen nach, durchgeführt werden.

Packen Sie das Gerät aus und kontrollieren Sie , ob sich das Gerät während des Transportes nicht beschädigt hat. Platzieren Sie das Gerät auf eine waagrechte Fläche (maximale Unebenheit bis 2°). Stellen Sie das Gerät unter den Haubenabzug, damit Sie die Wasserdämpfe und den Geruch eliminieren. Das Gerät kann selbständig oder in einer Reihe mit Geräten unserer Herrstellung installiert werden. Es ist notwendig die minimale Entfernung von 10 cm zu anderen Gegenständen einzuhalten, so dass die Wärmeisollierung der brennbaren Teilen gewährleistet wird.

Das Gerät kann selbständig oder in einer Reihe mit Geräten unserer Herrstellung installiert werden. Es ist notwendig die minimale Entfernung von 10 cm zu anderen Gegenständen einzuhalten, so dass die Wärmeisollierung der brennbaren Teilen gewährleistet wird.

TECHNISCHE HINWEISE ZUR INSTALLATION UND REGELUNG

Wichtig:

Zur Benützung AUSSCHLIEßLICH nur für spezialisierte Techniker
Instruktionen, die folgen, wenden sich an den Techniker, der für die Installation qualifiziert ist, damit er alle Operationen mit der korrektesten Weise und laut der gültigen Normen durchführt.

Wichtig

Jeweils irgendeine Tätigkeit, die mit der Regulation verbunden ist u.ä, muß nur mit der aus dem Netz ausgezogenen und abgeschalteten Einrichtung vollgezogen sein.

Solange das Gerät unter der Spannung notwendig zu halten ist, eine höchste Vorsicht zu beachten vorliegt.

DIE SICHERHEITSVORRICHTUNGEN AUS DER SICHT DES FEUERSCHUTZES LAUT EN. 061008 ČL. 21

Die Einrichtungsbedienung dürfen nur Erwachsene ausführen

- Das Gerät darf sicher in gewöhnlicher Umgebung laut EN 332000-4-482; EN 332000-4-42 verwendet werden.
- Es ist notwendig das Gerät so platzieren, daß es auf einer unbrennbaren Grundlage steht oder hängt.
- Es dürfen, auf und in eine Entfernung, die kleineremase als sicher vom Gerät bezeichnet wird, keine Gegenstände aus brennbaren Materilien (die kleinste Entfernung vom Brennbarem ist 10 cm) aufgestellt werden.
- Die sicheren Entfernungen von Massen der einzelnen Brenngra

Tabelle:

Baumassefeuerbrenngrad ins Brenngrad (EN) der Massen und Produkte eingegliedert

A	Unbrennbar	Granit, Sandstein, beton, Ziegel, Keramikbekleidung, Putz
B	nicht einfach brennbar	Akumin, Heraklit, Lihnos, Itaver
C1	schwer brennbar	Holz, Laubbaum, Furnier Sirkoklit, Festpapier, Umakart
C2	mittel brennbar	Holzspanplatten, Solodur, Korkplatten, Hartgummi, Bodenbeläge
C3	leicht brennbar	Holzfasernplatten, Polystyren, Polyureten, PVC

Die Bedarfsartikel müssen sicher installiert werden und sind mit regulierenbaren Beinchen - zur Ausgleichen der Höhe und der Unebenheiten eingestattet.

Die Geräte müssen in einer sicheren Weise installiert werden. Bei der Installation müssen weiter betreffende Projekt-, Sicherheits-, und Hygienevorschriften respektiert werden.

- EN 06 1008 Feuerschutz der örtlichen Geräte und der Wärmquellen
- EN 33 2000 (33 2000-4-482; 33 2000-4-42) Umgebung für elektrische Geräte
- Gasversorgung -Gasleitunge in Gebäuden - Höchste Verkehrsdruck ≤ 5 BarVerkehrsansprüche,
- § 10 des Gesetzes Nr.185/2001 Sb., der Abfälle betrifft.

DER ELEKTRISCHE KABELNETZANSCHLUSS

Die Installation der elektrischen Ankupplung - Diese Zuleitung muß selbstständig gesichert werden. Und das durch entsprechende Sicherung des Nennstromes in der Abhängigkeit am Anschlußwert des installierten Gerätes. Kontrollieren sie den Anschlußwert des Apparates auf dem Produktionsschild im Hinterteil des Gerätes. Schließen Sie das Gerät direkt ans Netz an.

Es ist unbedingt notwendig zwischen das Gerät und das Netz einen Schalter zu legen, der eine minimale Entfernung von 3mm unter den Einzelkontakten aufweist und der auch den geltenden Normen und Belastungen entspricht. Die Erdungszuleitung (gelbgrün) darf nicht durch diesen Schalter unterbrochen sein.

Der Zuleitungskabel muß in jedem Fall so angebracht sein, dass er in keinem Punkt einer um 50°C höherer Temperatur als Umgebungstemperatur nicht erreicht. Eher das Gerät ans Netz angeschlossen wird, versichern Sie sich, dass:

- die Zuleitungssicherung und die Innenscheidung die Einrichtungsbelastung ertragen (siehe Matriceschild),
- die Verteilung mit wirksamer Erdung laut Normen (EN) und Gesetzbedingungen ausgestattet ist

WIR VERZICHTEN AUF JEDLICHE VERANTWORTUNG IM FALLE, DASS DIESE NORMEN NICHT RESPEKTIERT WERDEN UND IM FALLE DER NICHTEINHALTUNG DER OBENERWÄHNTER GRUNDSÄTZE.

Es ist notwendig die Schutzfolie vor der ersten Benützung zu beseitigen, sowie das Gerät zu reinigen siehe das Kapitel „Reinigung und Instandhaltung“.



-Führen Sie den Stecker der Speisezuleitung in die el. Steckdose und ziehen ihn aus der el. Steckdose mit nassen Händen und durch Ziehen der Speisezuleitung nicht!

-Verwenden Sie keine Verlängerungskabel oder Kombisteckdosen.

GEBRAUCHSANWEISUNG

Die Zündung des Hauptbrenners

Drehen Sie mit dem Beherrschenrädchen und stellen Sie die verlangte Temperatur ein (1-6). Die Kontrollleucht (GREEN) wird scheinen. Die Kontrolllampe (ORANGE) scheint, wenn das Gerät unter Elektrostrom steht. Das Gerät schalten Sie so aus, wenn Sie das Beherrschenrädchen in die Lage „0“ umdrehen.

Timer

Der Timer wird nur verwendet, um die eingestellte Zeit anzuzeigen

Controlling der Umluftofen

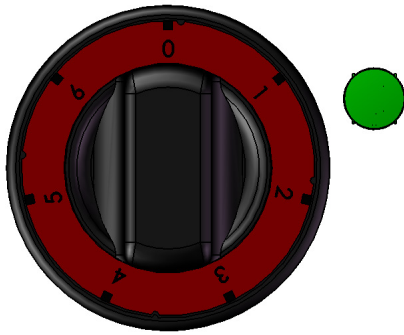
Drehen Sie den Regler nach rechts drehen, wird auf dem Ventilator einzuschalten. Dies wird durch eine grüne LED signalisiert. Danach stellen Sie den Drehknopf in die gewünschte Temperatur. Arbeiten der Heizung wird durch die orange LED, wenn das Licht erlischt angedeutet, wird der Ofen auf die gewünschte Temperatur vorgeheizt. Schalten Sie den Ofen nach links in die „0“ nach links.

Controlling der statischen Ofen

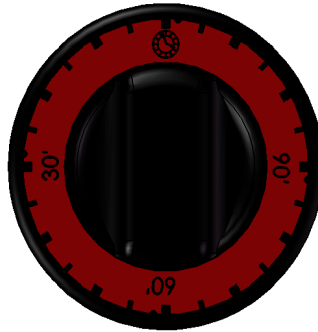
Sie können den Regler in ausgewählte Positionen Schalter für oberen und unteren Heizkörper zur gleichen Zeit (Position 1), oder einfach nur die Bodenheizung (Position 3) oder obere Heizung (Position 2). Dies wird durch grüne LED angezeigt. Stellen Sie den Regler in die gewünschte Temperatur. Arbeiten Heizung durch orange LED, wenn das Licht erlischt angegeben ist, wird der Ofen auf die gewünschte Temperatur vorgeheizt. Schalten Sie den Ofen durch Drehen der beiden Knöpfe auf „0“.

Control knobs

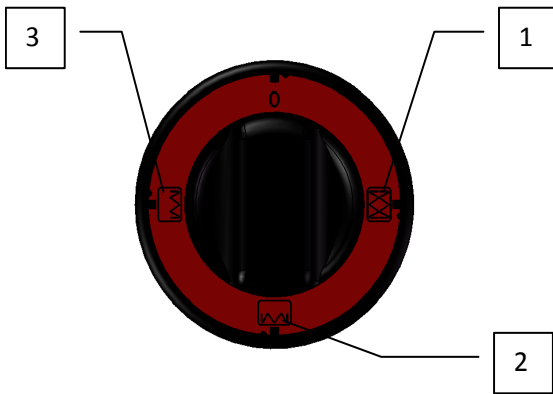
Hotplate control knob



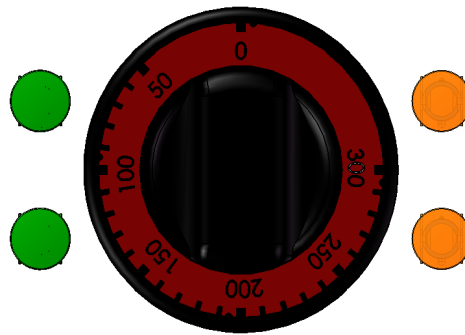
Timer control knob



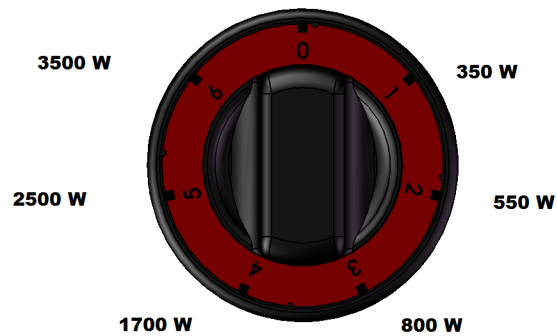
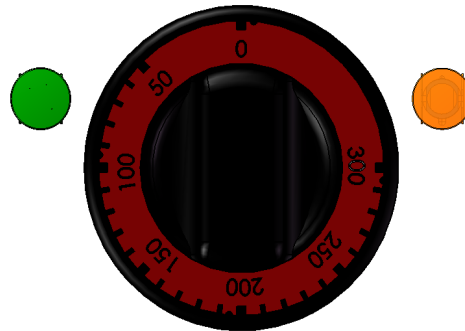
Oven control knob



Oven thermostat control knob



Convection oven control knob



DIE REINIGUNG UND INSTANDSHALTUNG

ACHTUNG! Die Einrichtung darf nicht mit Direkt-, oder Druckwasserstrahl gereinigt werden. Reinigen Sie das Gerät täglich. Die Lebensdauer und Gerätewirkung wird durch die tägliche Wartung gewährleistet. Überzeugen Sie sich, vorm Reinigungsanfang, dass Sie die Einrichtung vom Elektrostrom abgeschaltet haben. Schalten Sie immer die Gerätehauptzufuhr ab. Waschen Sie die Edelstahlteile mit feuchtem Waschlappen, der im Waschpulver getauft ist und keine grobe Teilchen aufweist. Wischen Sie alles ins Trockene ab. Verwenden Sie keine abrasive- oder korrosionsreiche Reinigungsmitteln.

WIE MAN IM FALLE EINER STÖRUNG VORANGEHEN SOLL

Schalten sie die elektrische Stromleitung ab und rufen die Serviceorganisation des Verkäufers an.

HINWEIS

Die Garantie bezieht sich nicht auf alle Verbrauchsteile, die der geläufiger Abnutzung unterstehen (gesamte Gummidichtungen, Glühlampen, alle glasernde und plastiche Teile, usw.). Die Garantie bezieht sich nicht weiterhin auf Einrichtungen, die durch befugte Person laut Anweisung und entsprechender Normen nicht installiert worden sind und wenn mit dem Gerät unfachmännisch manipuliert wurde (Eingriffe ins Innere) und auf Beschädigungen durch Natureinflüsse oder Ausseneingriffe.

DÉCLARATION DE CONFORMITÉ

Le fabricant certifie la conformité des appareils aux normes 2014/30/EU, 2014/35/EU à la loi n° 117/2016 sb., 17/2003 sb. et aux décrets applicables. L'installation doit être effectuée dans le respect des normes en vigueur. Attention: le fabricant décline toute responsabilité en cas de dommages, directs ou indirects, causés par une mauvaise installation, par une utilisation, des interventions ou des modifications impropres, par un entretien insuffisant, ainsi qu'en cas de dommages dérivant des causes mentionnées dans les conditions de vente. L'appareil objet de la présente notice est prévu pour un usage professionnel, aussi son utilisation doit-elle être confiée à un personnel possédant les compétences nécessaires à cet effet. L'utilisateur ne doit procéder à aucune intervention ni à aucune modification sur les parties réglées et protégées par le fabricant ou autre personnel autorisé à cet effet.

CARACTÉRISTIQUES TECHNIQUES

L'étiquette sur laquelle figurent les caractéristiques techniques est apposée sur la partie postérieure de l'appareil. Avant de procéder à l'installation, prendre connaissance du schéma électrique et de toutes les informations que contient la présente notice.

TYPE DE PRODUIT	OVEN (kW) / size	PUISSANCE PLAQUES (kW)	PUISSANCE (kW)	TENSION V/Hz	DIMENSION (cm)
SPT 90/80 11 E	3,1 / GN 1/1	4 x 3,5	17,1	400/3N/50	80x90x90 v
SPT 90/80 21 E	6,3 / GN 2/1	4 x 3,5	20,3	400/3N/50	80x90x90 v
SPT 90/120 21 E	6,3 / GN 2/1	6 x 3,5	27,3	400/3N/50	120x90x90 v
SP 90/80 E	-	4 x 3,5	14,0	400/3N/50	80x90x90 v
SP 90/40 E	-	2 x 3,5	7,0	400/3N/50	40x90x90 v
SP 90/120 E	-	6 x 3,5	21	400/3N/50	120x90x90 v
SPLT 90/80 11 E	3,1 / GN 1/1	4 x 2,5	13,1	400/3N/50	80x90x90 v
SPLT 90/80 21 E	6,3 / GN 2/1	4 x 2,5	16,3	400/3N/50	80x90x90 v
SPL 90/80 E	-	4 x 2,5	10,0	400/3N/50	80x90x90 v
SPL 90/40 E	-	2 x 2,5	5,0	400/3N/50	40x90x90 v
SPQT 90/80 11 E	3,1 / GN 1/1	4 x 3,5	17,1	400/3N/50	80x90x90 v
SPQT 90/40 21 E	6,0 / GN 2/1	4 x 3,5	20,0	400/3N/50	80x90x90 v
SPQ 90/80 E	-	4 x 3,5	14,0	400/3N/50	80x90x90 v
SPQ 90/40 E	-	2 x 3,5	7,0	400/3N/50	40x90x90 v

CONTROLE DE L'EMBALLAGE ET DE L'APPAREIL

En vue de son transport, l'appareil quitte les établissements du fabricant parfaitement emballé (sur l'emballage sont apposés les étiquettes et les symboles nécessaires à cet effet). L'emballage contient également la notice des instructions d'utilisation. Dans le cas où l'emballage présenterait des dommages ainsi que dans le cas où il s'avérerait qu'il a été manipulé sans les précautions nécessaires, il est impératif d'adresser sans attendre une déclaration au transporteur en y joignant une acceptation de la marchandise sous réserve.

Recommandation importante:

-Le produit est destiné uniquement à un usage intérieur.

N'utilisez jamais cet appareil si le cordon ou la fiche sont endommagés, si l'appareil fait défaut, s'il a été échappé ou endommagé ou immergé. Dans ce cas, retournez cet appareil au centre service autorisé pour examen.

- Pour usage professionnel seulement
- La présente notice des instructions d'utilisation et d'entretien contient d'importantes informations relatives à la sécurité, à l'installation et à l'utilisation; il est nécessaire d'en effectuer attentivement la lecture.
- Les recommandations se réfèrent à l'appareil objet de la présente notice.
- L'appareil est conforme aux normes en vigueur.
- Veiller à bien conserver la notice de telle sorte qu'elle puisse être consultée à tout moment en cas de besoin.
- Ne pas laisser des enfants s'approcher de l'appareil durant son utilisation.
- Pendant la vente ou après le déménagement de l'appareil vérifier que le personnel lise attentivement la présente notice d'utilisation
- L'appareil ne peut être utilisé que par le personnel instruit
- L'appareil ne peut être laissé en marche sans surveillance
- Il est recommandé de faire l'appareil contrôler au moins une fois par an dans un service spécialisé
- Ne pas utiliser que des pièces détachées originelles.
- En cas de défaut ou de mauvaise fonction, débrancher l'appareil (eau, gaz, électricité) et appeler un service spécialisé
- Le fabricant décline toute responsabilité en cas de dommages, directs ou indirects, causés par une mauvaise installation, utilisation, etc

LA LOCATION

Le local dans lequel l'appareil est installé doit être bien ventilé. Si l'appareil doit toucher le parois, celui-ci doit résister à la chaleur de 90°C au minimum. L'installation, le réglage et la mise en marche doivent être effectués par une personne qualifiée ayant une autorisation nécessaire selon les normes en vigueur.

Déballez l'appareil et vérifiez s'il n'était pas endommagé pendant le transport. Placez l'appareil sur une surface horizontale (pente maximale de 2°). Placez l'appareil sous une hotte pour éliminer la vapeur et mauvaise odeur.

L'appareil peut être installé seul ou en série avec d'autres appareils de notre fabrication. Il faut respecter la distance minimale de 10 cm entre l'appareil et d'autres objets ainsi qu'éviter le contact avec les matériaux inflammables. Dans ce cas il faut prévoir les arrangements nécessaires pour assurer la protection des parties inflammables.

INSTRUCTIONS TECHNIQUES POUR INSTALLATION ET REGLEMENT

Important:

Le fabricant ne fournit pas de garantie pour les défauts causés par l'usage, tout manquement impropre aux instructions contenues dans les instructions ci-jointes pour l'utilisation et aux mauvais traitements des appareils.

Installation, réglage et réparation d'appareils pour les cuisines, ainsi que leur élimination en raison de dommages possibles au gaz peut être effectuée qu'en vertu d'un contrat de maintenance, ce contrat peut être signé avec un distributeur agréé, et doivent être conformes à la réglementation technique et normes et réglementations concernant l'installation, l'alimentation, de raccordement de gaz et de la santé et la sécurité du système.

Ces instructions sont destinées au technicien qualifié qui doit effectuer l'installation, le mettre en marche et tester l'appareil.

Toute activité en tant que paramètres, le placement, le rééquilibrage etc, doit être faite que lorsqu'il est périphérique déconnecté de l'électricité. Si il est nécessaire d'avoir le périphérique connecté à l'électricité, vous devez garder la plus grande attention afin d'éviter toute blessure.

MÉSURES DE SÉCURITÉ POUR LA PROTECTION CONTRE INCENDIE SELON EN 06 1008 ARTICLE 21:

- l'appareil ne peut être utilisé que par des personnes majeures
- l'appareil peut être utilisé dans un espace ordinaire selon EN 332000-4-482; 332000-4-42
- l'appareil doit être placé ou suspendu d'une manière stable sur une surface ininflammable

Il est interdit de placer sur l'appareil ou dans la distance inférieure à 10 cm de l'appareil des objets inflammables.

- les distances de sécurité pour les matériaux inflammables selon leurs degré d'inflammabilité et les informations sur l'inflammabilité des matériaux de construction – voir le tableau

Tableau:

degré d'inflammabilité d'un matériel de construction (EN 730823)

A ininflammables	granit, grès, béton, briques, carrelage céramique, enduit
B difficilement inflammables	acumin, héraclite, lihnos, itaver
C1 mal inflammables	bois des arbres feuillus, contre-plaqué, papier durci, umakart
C2 inflammabilité moyenne	aggloméré, solodur, liège, caoutchouc, revêtements
C3 inflammabilité facile	planches de fibre de bois, polystyrène, polyurethane, PVC

L'appareil doit être installé d'une manière sûre. Pour l'ajustage de l'appareil est ce-ci procuré des pieds réglables.

- EN 06 1008 protection contre incendie des consommateurs d'énergie locaux et des émetteurs de chaleur
- EN 33 2000 (33 2000-4-482; 33 2000-4-42) le milieu pour les appareil électriques

BRANCHEMENT ÉLECTRIQUE

Installation de prise de courant – La prise de courant doit avoir un coupe-circuit indépendant en dépendance de puissance fournie de l'appareil. Vérifiez la puissance de l'appareil sur la plaque des caractéristiques techniques.

Branchez l'appareil directement au réseau, il faut mettre un interrupteur entre le réseau et l'appareil, son ouverture de contacts étant 3 mm au minimum. Câble de terre (vert-jaune) ne peut pas être interrompu par cet interrupteur. En tout cas, le câble de prise de courant doit être placé de telle manière que sa température ne dépasse jamais la température du milieu de plus que 50°C. Avant le branchement au réseau, s'assurer que :

- le coupe-circuit et distribution intérieure peuvent endurer la charge de l'appareil (voir la plaque)
- la mise à la terre fonctionne selon les normes en vigueur (EN) et selon la loi
- la prise ou l'interrupteur de circuit sont faciles d'accès

Le fabricant rénonce à toute responsabilité en cas que les normes ne seront pas respectés ainsi qu'en cas de dérogation des règles mentionnés ci-haut.

Avant la première utilisation, il faut retirer le film de protection et nettoyer l'appareil – voir chapitre « nettoyage et entretien ».

Entretien:

Il est recommandé de faire contrôler l'appareil dans un service spécialisé au moins une fois par an. Toutes les interventions peuvent être effectuées seulement par une personne qualifiée ayant une autorisation pour ces interventions.



-N'introduisez pas la fiche du cordon dans la prise de courant et ne débranchez pas l'appareil de la prise électrique si vos mains sont mouillées ou en tirant sur le cordon électrique !

-N'utilisez pas de rallonge ou de multiprise.

INSTRUCTIONS

Tournez le bouton de réglage afin d'ajuster la puissance demandée (1-6). Le voyant vert (VERT) va être allumé. Le voyant vert (ORANGE) est allumé si l'appareil est sous tension. Pour débrancher l'appareil retournez le bouton de réglage à la position "0".

minuteur

La minuterie est utilisée uniquement pour indiquer l'heure ensemble

Contrôle de l'étuve à air

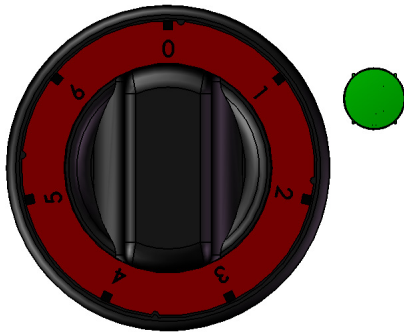
Tournez, tournez le bouton vers la droite, tournez le ventilateur. Ceci est indiqué par une LED verte. Puis tournez le bouton à la température désirée. Travail du chauffage se fait par la LED orange indique quand la lumière s'éteint, le four est préchauffé à la température désirée. Allumez le four vers la gauche dans le „0“ à la gauche.

Contrôle de la four statique

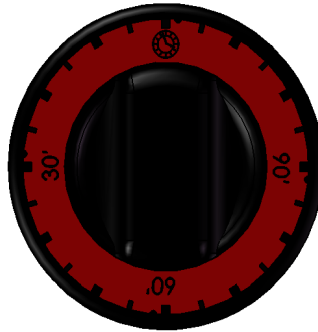
Vous pouvez basculer le contrôleur dans des positions choisies pour la partie supérieure et inférieure des éléments chauffants dans le même temps (position 1), ou chauffage par le sol tout simplement (position 3) ou de chauffage supérieure (position 2). Ceci est indiqué par la LED verte. Tournez le bouton à la température désirée. Installations de chauffage par LED orange lorsque la lumière s'éteint est spécifié, le four est préchauffé à la température désirée. Éteindre le four en tournant les boutons à „0“.

Control knobs

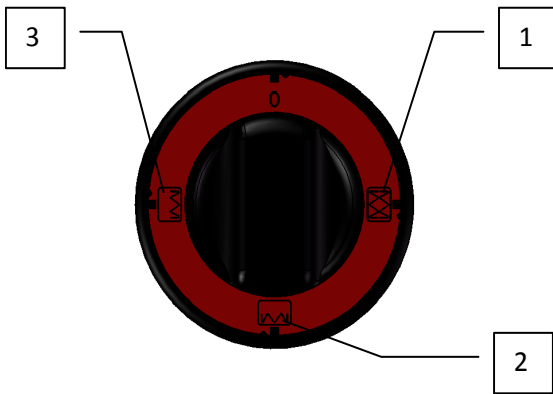
Hotplate control knob



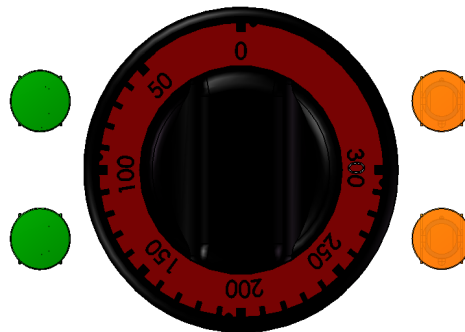
Timer control knob



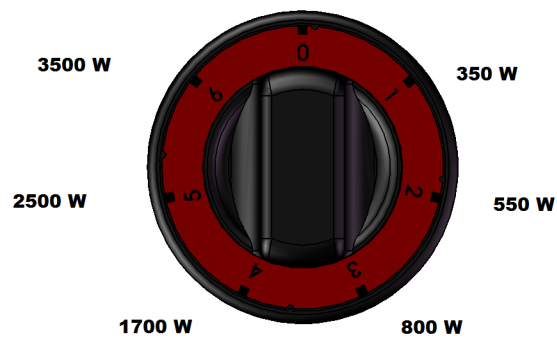
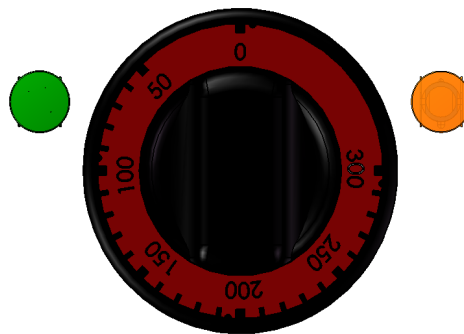
Oven control knob



Oven thermostat control knob



Convection oven control knob



NETTOYAGE ET ENTRETIEN

Il est recommandé de faire contrôler l'appareil dans un service spécialisé au moins une fois par an. Toutes les interventions peuvent être effectuées seulement par une personne qualifiée ayant une autorisation pour ces interventions.

ATTENTION ! L'appareil ne peut pas être nettoyé sous l'eau courante ou de pression. Nettoyer l'appareil chaque jour. Nettoyage quotidien prolonge la vie et le fonctionnement de l'appareil. Avant le nettoyage vérifier, si l'appareil est débranché. Toujours débrancher l'alimentation principale. Les pièces en inox nettoyer à l'aide d'un torchon humide et un détergent sans particules abrasives, rincer, sécher. Ne jamais utiliser les produits abrasifs ou corrosifs.

Comment procéder en cas de panne de l'appareil

Débrancher l'appareil et appeler le service spécialisé.

AVERTISSEMENT:

La garantie ne concerne pas les bourrelets en caoutchouc, bulbes, parties en verre et en plastique. Elle ne concerne également pas tout l'appareil si l'installation n'a pas été effectuée par une personne qualifiée, selon le mode d'installation ou selon les normes en vigueur ou si l'appareil n'a pas été utilisé selon le mode d'emploi, s'il y avait des interventions nonprofessionnelles (interventions à l'intérieur de l'appareil). La garantie ne concerne pas les endommagements causés par la pluie, vent, etc.

DE VERKLARING VAN OVEREENSTEMMING MET DE NORMEN

De fabrikant verklaart dat de apparaten voldoen aan de basiseisen van de richtlijn 2014/30/EU (verordening van de regering nr. 117/2016 Coll.) en de eisen van de richtlijn 2014/35/EU (verordening van de regering nr. 118/2016 Coll.).

Houd er rekening mee dat de fabrikant elke aansprakelijkheid afwijst in geval van directe of indirecte schade, die betrekking heeft op verkeerde installatie, niet correcte ingreep of aanpassingen, onvoldoende onderhoud en onjuist gebruik en die eventueel veroorzaakt zijn door andere oorzaken die gespecificeerd zijn in de afzonderlijke punten van de verkoopsvoorwaarden. Dit apparaat is uitsluitend bedoeld voor professioneel gebruik en moet worden bediend door gekwalificeerd personeel. Onderdelen die na afstelling door de fabrikant of een geautoriseerd persoon zijn beveiligd, mogen door de gebruiker niet gewijzigd worden.

Technische gegevens

Het typeplaatje met technische gegevens bevindt zich aan de zijkant of op de achterkant van het apparaat. Bestudeer het elektrische schema van het apparaat en alle onderstaande informatie, voordat u overgaat tot installatie van het apparaat.

Producttype	Aansluitvermogen oven/ Afmetingen oven	Aansluitvermogen kookplaten (kW)	Totaal aansluitvermogen (kW)	Voedingsspanning (V/Hz)	Afmetingen apparaat (cm)
SPT 90/80 11 E	3,1 / GN 1/1	4 x 3,5	17,1	400/3N/50	80x90x90 v
SPT 90/80 21 E	6,3 / GN 2/1	4 x 3,5	20,3	400/3N/50	80x90x90 v
SPT 90/120 21 E	6,3 / GN 2/1	6 x 3,5	27,3	400/3N/50	120x90x90 v
SP 90/80 E	-	4 x 3,5	14,0	400/3N/50	80x90x90 v
SP 90/40 E	-	2 x 3,5	7,0	400/3N/50	40x90x90 v
SP 90/120 E	-	6 x 3,5	21,0	400/3N/50	120x90x90 v
SPLT 90/80 11 E	3,1 / GN 1/1	4 x 2,5	13,1	400/3N/50	80x90x90 v
SPLT 90/80 21 E	6,3 / GN 2/1	4 x 2,5	16,3	400/3N/50	80x90x90 v
SPL 90/80 E	-	4 x 2,5	10,0	400/3N/50	80x90x90 v
SPL 90/40 E	-	2 x 2,5	5,0	400/3N/50	40x90x90 v
SPQT 90/80 11 E	3,1 / GN 1/1	4 x 3,5	17,1	400/3N/50	80x90x90 v
SPQT 90/40 21 E	6,3 / GN 2/1	4 x 3,5	20,3	400/3N/50	80x90x90 v
SPQ 90/80 E	-	4 x 3,5	14,0	400/3N/50	80x90x90 v
SPQ 90/40 E	-	2 x 3,5	7,0	400/3N/50	40x90x90 v

Controle van de verpakking en het apparaat

Het apparaat verlaat ons magazijn in een verpakking die voldoet aan alle voorschriften en waarop zich de vereiste symbolen en markeringen bevinden. In de verpakking bevindt zich de overeenkomstige gebruiksaanwijzing. Indien de verpakking beschadigd is of wijst op onjuist transport, dient u dit onmiddellijk te reclameren bij de transporteur door middel van ondertekening van een schadeprotocol. Latere indiening van klachten wordt niet in aanmerking genomen.

Belangrijke aanwijzingen

Lees deze gebruiksaanwijzing aandachtig en nauwkeurig door, omdat zij belangrijke informatie bevat over veiligheidsvoorzieningen, installatie en gebruik van het apparaat.

- Het product is alleen bedoeld om binnenshuis te worden gebruikt.
- Gebruik het apparaat nooit als de stroomtoevoer of stekker beschadigd is, als het niet juist werkt, het op de grond is gevallen en beschadigd of in het water is gevallen. Breng in dergelijke gevallen het apparaat naar een gespecialiseerde service om te controleren of het apparaat veilig is en correct werkt.
- Deze aanbevelingen zijn van toepassing op dit product of productlijn.
- Deze handleiding moet zorgvuldig bewaard worden voor toekomstig gebruik.
- Zorg ervoor dat kinderen het apparaat niet kunnen bedienen.
- Wanneer u hebt apparaat verkocht of verplaatst, zorg er dan voor dat de persoon die het apparaat bedient of er de service van doet, bekend is met het gebruik en de installatie-instructies in de bijgevoegde handleiding.
- Het product mag uitsluitend worden bediend door een persoon die bekend is met deze gebruiksaanwijzingen.
- Het ingeschakelde apparaat niet zonder toezicht laten werken.
- Wij bevelen aan om het apparaat minimaal 2x per jaar een gespecialiseerde controle en onderhoudsbeurt te geven.
- Gebruik uitsluitend originele onderdelen bij eventuele reparatie of vervanging van onderdelen.
- Het apparaat mag niet schoongemaakt worden met een waterstraal of een hogedrukreiniger.
- Bij storingen of wanneer het apparaat niet goed werkt alle leidingen (water, stroom, gas) afsluiten en contact opnemen met de geautoriseerde service.
- De producent is niet aansprakelijk voor storingen die zijn veroorzaakt door incorrecte installatie, het niet in acht nemen van bovengenoemde aanbevelingen, gebruik dat niet in overeenstemming is met de bestemming van het apparaat enz.
- Het apparaat mag alleen worden gebruikt voor het doel waarvoor het is bedoeld. Elk ander gebruik is verboden en kan leiden tot gevaar of letsel
- Er moet worden gezorgd voor de strengste naleving van de brandbeveiligingsregels
- Tijdens en kort na het bedrijf zijn sommige delen van het apparaat heet
- Het is verboden om tijdens de werking andere delen van het apparaat aan te raken dan de hiervoor bedoelde bedieningselementen

Plaatsing

De volgende richtlijnen in overeenstemming met de normen TPG G 704 01, ČSN 127040 en ČSN 127010 moeten in acht worden genomen voor de juiste werking en opstelling van het apparaat.

Pak het apparaat uit een controleer of het tijdens het transport niet is beschadigd. Plaats het apparaat op een horizontale oppervlakte (de maximale oneffenheid mag maximaal 2° bedragen). Kleine oneffenheden kunnen worden opgevangen met de stelvoeten.

Als het apparaat zodanig geplaatst is dat het in contact komt met de wanden van het meubilair, dan moeten deze bestand zijn tegen temperatuur tot 60 °C. Installatie, afstelling en inbedrijfstelling moet door een gekwalificeerd persoon uitgevoerd worden die bevoegd is voor deze handelingen in overeenstemming met de toepasselijke normen.

Het apparaat kan afzonderlijk worden geïnstalleerd of in serie met door ons geproduceerde apparaten. Er moet een minimale afstand van 10 cm tot brandbare materialen aangehouden worden. In dit geval is het ook noodzakelijk de nodige aanpassingen uit te voeren om de warmte-isolatie van de brandbare onderdelen te waarborgen.

Het apparaat mag alleen worden geïnstalleerd op een onbrandbare ondergrond of tegen een onbrandbare wand.

De kleinste vereiste luchtstroming vanuit de buitenruimte voor de apparaten van versie A ligt in het bereik van 5-20 m³/h, afhankelijk van het type apparaat. Het hangt af van de installatievoorschriften van het land van bestemming.

De door de fabrikant of zijn vertegenwoordiger beveiligde onderdelen van het apparaat mag de persoon die de installatie van het product doet, niet wijzigen.

Installatie

Belangrijk:

De fabrikant verleent geen garantie voor storingen die zijn ontstaan als gevolg van oneigenlijk gebruik, het niet in acht nemen van de instructies in bijgevoegde gebruikershandleiding en verkeerde hantering van het apparaat.

Installatie-, aanpassings- en reparatiewerkzaamheden op het apparaat voor grote keukens, evenals hun demontage als gevolg van mogelijke schade aan de gastoevoer, kunnen alleen worden uitgevoerd op basis van een onderhoudscontract. Dit contract kan met een geautoriseerde verkoper afgesloten worden, met inachtneming van de technische voorschriften en normen en voorschriften betreffende installatie, elektrische toevoerleidingen, gasaansluiting en arbeidsveiligheid.

Technische instructies voor installatie en afstelling zijn **UITSLUITEND** bestemd om door gespecialiseerde technici te worden gebruikt.

De volgende instructies zijn bestemd voor een technicus die de juiste kwalificaties bezit voor de installatie, om te verzekeren dat hij alle handelingen op de juiste manier en in overeenstemming met de geldende normen kan uitvoeren.

Iedere handeling die te maken heeft met onder andere regulatie, moet worden uitgevoerd terwijl het apparaat is losgekoppeld van de stroomvoorziening. Indien het apparaat toch onder spanning moet staan, dient u de grootst mogelijke voorzichtigheid in acht te nemen.

Het type apparaat voor de uitvoering van afzuiging staat vermeld op het typeplaatje, dit zijn de apparaten van het type A1.

Veiligheidsvoorzieningen in verband met brandpreventie conform ČSN 061008 art. 21

- het apparaat mag uitsluitend door volwassenen bediend worden
- het apparaat kan veilig gebruikt worden in overeenstemming van de volgende normen:
ČSN 33 2000-4-482: Brandbeveiliging in gebieden met een speciaal risico of gevaar
ČSN 33 2000-4-42: Bescherming tegen invloeden van warmte

- het apparaat moet zo worden geplaatst dat het stevig staat of hangt op een vuurbestendige ondergrond
Op of naast het apparaat mogen zich geen brandbare voorwerpen bevinden binnen de veilige afstand die voor het apparaat is vastgesteld (de kleinste afstand tot brandbare materialen bedraagt 10 cm).

Tabel: De mate van brandbaarheid van bouwmaterialen (ČSN 730823) weergegeven per substantie en product

Mate van brandbaarheid	Bouwmaterialen
A – niet brandbaar	Graniet, zandsteen, beton, baksteen, keramische bekleding, pleisterwerk
B – heel moeilijk brandbaar	Acuminiet, heracliet, lihnos, itaver
C1 – moeilijk brandbaar	Hout, loofhout, fineer, sirkoklit, verstevigd papier, umakart
C2 – gemiddeld brandbaar	Spaanplaat, solodur, kurkplaat, harde rubber, vloerbedekking
C3 – zeer brandbaar	Vezelplaat, polystyreen, polyurethaan, PVC

- Informatie over mate van brandbaarheid van gewone bouwmaterialen staan in de tabel hieronder. Installeer het apparaat op veilige wijze. Neem bij de installatie de voorschriften voor ontwerp, veiligheid en arbeidshygiëne in acht overeenkomstig:
 - ČSN 06 1008 brandveiligheid van lokale apparaten en warmtebronnen
 - ČSN 33 2000-4-482 brandbeveiliging in gebieden met een speciaal risico of gevaar
 - ČSN 33 2000-4-42 bescherming tegen invloeden van warmte

Aansluiting van de elektrische kabel op het elektriciteitsnet

De aansluiting op het elektriciteitsnet - de voedingskabel moet zelfstandig beveiligd worden. Namelijk door de toepassing van een zekering voor nominale stroom, afhankelijk van het aansluitvermogen van het geïnstalleerde apparaat. Controleer het aansluitvermogen van het apparaat op het typeplaatje dat zich op het achterpaneel (of zijkant) van het apparaat bevindt.

De aangesloten aardkabel moet langer zijn dan de andere kabels. Sluit het apparaat direct op het elektriciteitsnet aan. Het is absoluut noodzakelijk om tussen het apparaat en het elektriciteitsnet een schakelaar te monteren die minimaal 3 mm van het enkelvoudige contact is verwijderd en die voldoet aan de geldende normen en belastingen. De aardkabel (geelgroen) mag niet door deze schakelaar worden onderbroken. Als het apparaat bedoeld is voor aansluiting in het stopcontact, sluit dit aan op het elektriciteitsnet als het stopcontact van een overeenkomstige zekering voorzien is.

De voedingskabel moet dusdanig worden bevestigd, dat hij op geen enkel punt warmer kan worden dan 50 °C boven de omgevingstemperatuur. Voordat u het apparaat aansluit op het elektriciteitsnet moet u controleren of:

- de voedingszekering en de stroomverdeler de stroombelasting van het apparaat verdragen (zie het matrixplaatje),
- het distributiepaneel is uitgerust met een aarding volgens de normen (ČSN) en de wettelijke voorschriften
- het stopcontact of de schakelaar in de voeding goed bereikbaar zijn vanaf het apparaat
- elektrische voedingleiding naar het apparaat moet gemaakt zijn van oliebestendig materiaal

We zijn niet aansprakelijk wanneer deze normen en de bovengenoemde principes niet in acht worden genomen.

Maak voor het eerste gebruik het apparaat schoon, zie het hoofdstuk „Reiniging en onderhoud“. Het apparaat moet geaard worden met behulp van de schroef met een aardingsmarkering.

- Dit label geeft het aardingspunt van het apparaat aan
- Steek de stekker van de voedingskabel niet in het stopcontact en trek ze niet uit het stopcontact met natte handen en door aan de voedingskabel te trekken!
- Gebruik geen verlengsnoeren of blok contactdozen.
- Het aansluitpunt van het net moet maximaal de ondervermelde impedantie Z_{MAX} conform ČSN EN 61000-3-11:2001 hebben. $Z_{MAX} = 0,042 + j 0,026 \Omega$ voor fasegeleiders en $0,028 + j 0,017 \Omega$ voor nulgeleider



- Dit label geeft het risico van een elektrische schok aan

GEBRUIKSAANWIJZING

Opgelet! Voordat u het apparaat gebruikt, moet u de beschermende folie van het gehele oppervlak verwijderen, het vervolgens goed met water en afwasmiddel wassen en daarna met een vochtige doek afnemen.

INSCHAKELING VAN DE KOOKPLATEN

Stel met de regelknop van de gewenste kookplaat het gewenste vermogen in – pos. “1-6”. Het controlelampje brandt en signaleert dat de kookplaat onder stroom staat. Door het draaien van deze knop naar de positie “0” wordt de kookplaat uitgeschakeld.

Timer

De timer dient alleen voor het signaleren van het verstrijken van de ingestelde tijd.

BEDIENING VAN DE HETELUCHTOVEN

Door de regelknop naar rechts te draaien, wordt de ventilator ingeschakeld. Dit wordt aangegeven door het groene controlelampje. Na de knop opnieuw naar rechts te draaien, wordt de gewenste temperatuur ingesteld. De werking van het verwarmingselement wordt aangegeven door het oranje controlelampje. Dit lampje gaat uit als de oven de ingestelde temperatuur bereikt. Door deze knop naar links naar de positie “0” te draaien, wordt het apparaat uitgeschakeld.

BEDIENING VAN DE STATISCHE OVEN

Met de bedieningsknop van de statische oven kunt u kiezen, of u met boven- of onderverwarmingselementen (positie 1) of alleen de onderste verwarmingselementen (positie 3) of bovenste verwarmingselementen (positie 2) zult bakken. Dit is aangegeven door groene controlelampjes. Stel de gewenste temperatuur van de statische oven met de bedieningsknop in. De werking van de verwarmingselementen wordt aangegeven door oranje controlelampjes. Deze lampjes gaan uit als de oven de ingestelde temperatuur bereikt. Door beide knoppen naar de positie “0” te draaien, wordt de oven uitgeschakeld.

OPMERKING

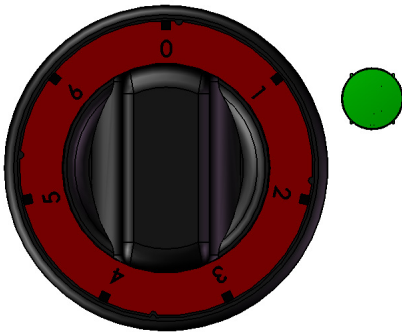
De garantie dekt niet alle verbruiksartikelen die onderhevig zijn aan normale slijtage (rubber dichtingen, lampjes, glazen en plastic onderdelen enz.). De garantie strekt zich ook niet uit over apparaten die niet zijn geïnstalleerd door bevoegde personen in overeenstemming met de instructies in de gebruiksaanwijzing en de van toepassing zijnde normen en indien het apparaat onjuist is behandeld (ingrepen in binnenapparatuur) of indien is het apparaat bediend door ongetraind personeel en in de strijd met de gebruiksaanwijzing. Verder dekt de garantie niet schade veroorzaakt door natuurlijke verschijnselen of andere externe invloeden. De transportverpakkingen en apparaten moeten aan het einde van hun levensduur aan een inzamelplaats overhandigd worden.

Modellen met dubbele platen

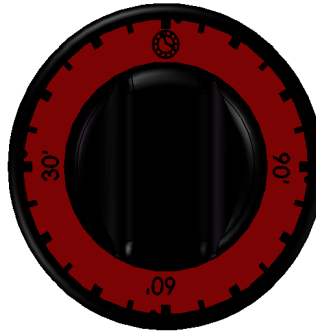
De ruimte onder de platen kan ook worden schoongemaakt. Er is ruimte rondom de platen die het mogelijk maakt de onzuiverheden in het apparaat te vegen. Na afkoeling worden de platen vastgepakt en zodanig op de bovenplaat geplaatst dat er toegang is tot de kom waarin de platen zich bevinden. De onzuiverheden worden vervolgens door een opening geveegd die uitkomt in de lade. Deze lade wordt daarna uitgeschoven, de onzuiverheden verwijderd en de lade teruggeplaatst. De lade schuift uit de voorkant van het apparaat.

Bedieningselementen

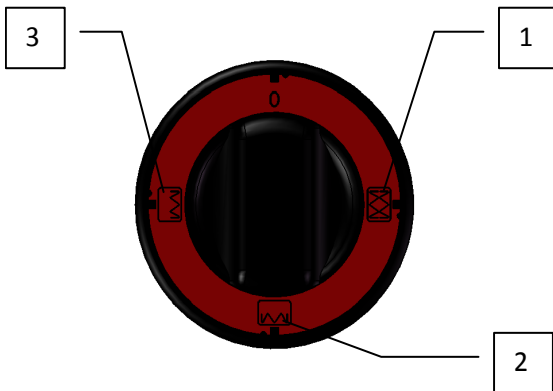
Regelknop van de plaat



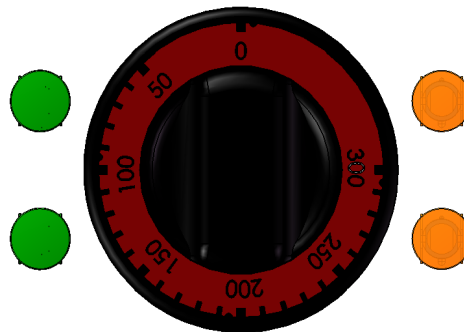
Regelknop van de timer



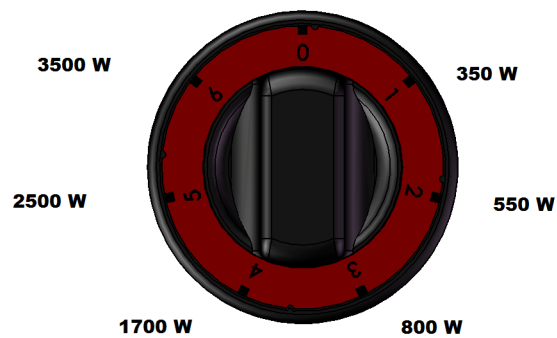
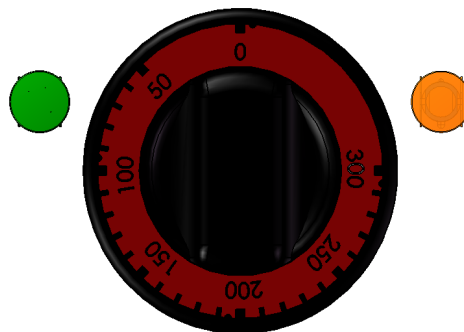
Schakelaar voor statische oven



Regelknop voor statische oven temperatuur



Uitzet- en regelknop van de heteluchtoven



REINIGING EN ONDERHOUD

Het apparaat moet ten minste 2x per jaar door een gespecialiseerde service gecontroleerd worden. Alle ingrepen aan het apparaat mogen slechts door een gekwalificeerd persoon worden uitgevoerd, die daartoe bevoegd is.

OPGELET! Het apparaat mag niet schoongemaakt worden met een directe waterstraal of met een hogedrukreiniger. Maak het apparaat elke dag schoon. Dankzij het dagelijks onderhoud bent u verzekerd van een lange levensduur en de efficiëntie van het apparaat. Controleer voordat u begint met schoonmaken of het apparaat is losgekoppeld van het elektriciteitsnet. Onderbreek altijd de stroomvoorziening van het apparaat. Maak de elementen van roestvrijstaal schoon met een vochtige doek en een klein beetje schoonmaakmiddel zonder schurende deeltjes en droog met een doek. Gebruik geen schurende of corrosieve schoonmaakmiddelen.

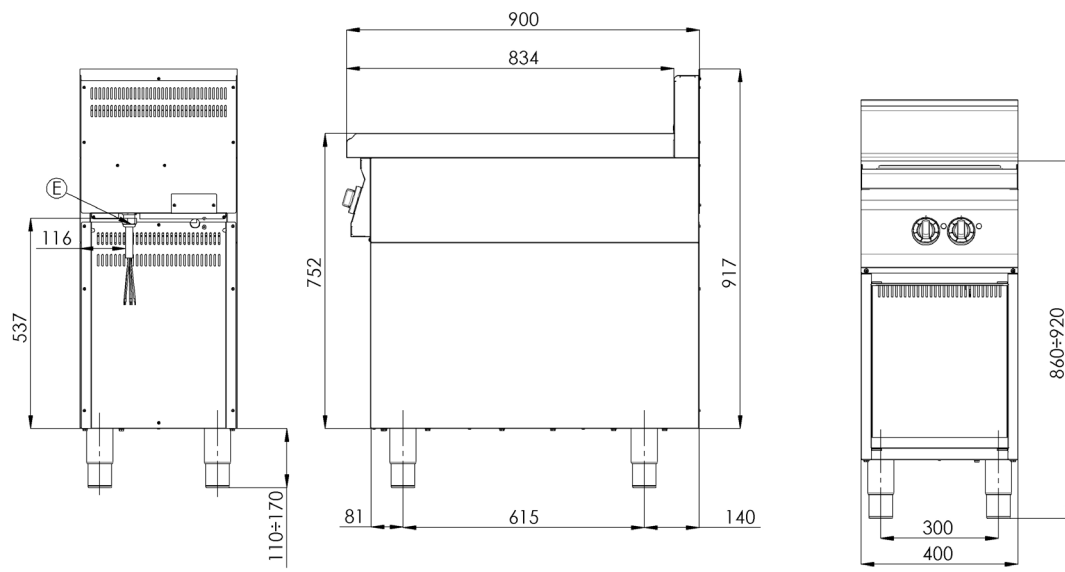
Opgelet! Voordat u het apparaat gebruikt, moet u de beschermende folie van het gehele oppervlak verwijderen, het vervolgens goed met water en schoonmaakmiddel wassen en daarna met een vochtige doek afnemen.

Maatregelen bij storingen Onderbreek de stroom-/gasvoorziening en neem contact op met de serviceafdeling van de verkoper.

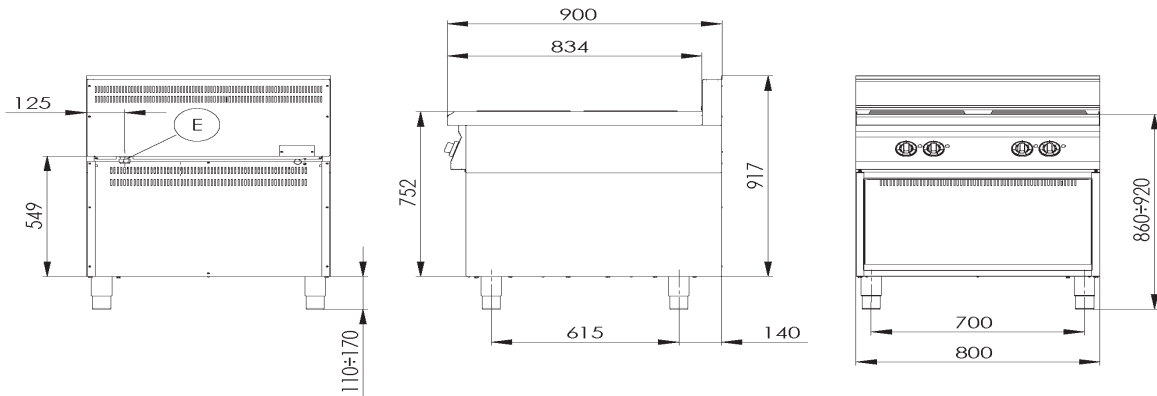
De garantie dekt niet alle verbruiksartikelen die onderhevig zijn aan normale slijtage (rubber dichtingen, lampjes, glazen en plastic onderdelen enz.). De garantie strekt zich ook niet uit over apparaten die niet zijn geïnstalleerd door bevoegde personen in overeenstemming met de instructies in de gebruiksaanwijzing en de van toepassing zijnde normen en indien het apparaat onjuist is behandeld (ingrepen in binnenapparatuur enz.) of indien het apparaat bediend is door ongetraind personeel en in de strijd met de gebruiksaanwijzing. Verder dekt de garantie geen schade veroorzaakt door natuurlijke verschijnselen of andere externe invloeden.

De transportverpakkingen en apparaten moeten aan het einde van hun levensduur aan een inzamelplaats overhandigd worden, in overeenstemming met de voorschriften voor afval en gevaarlijk afval beheer.

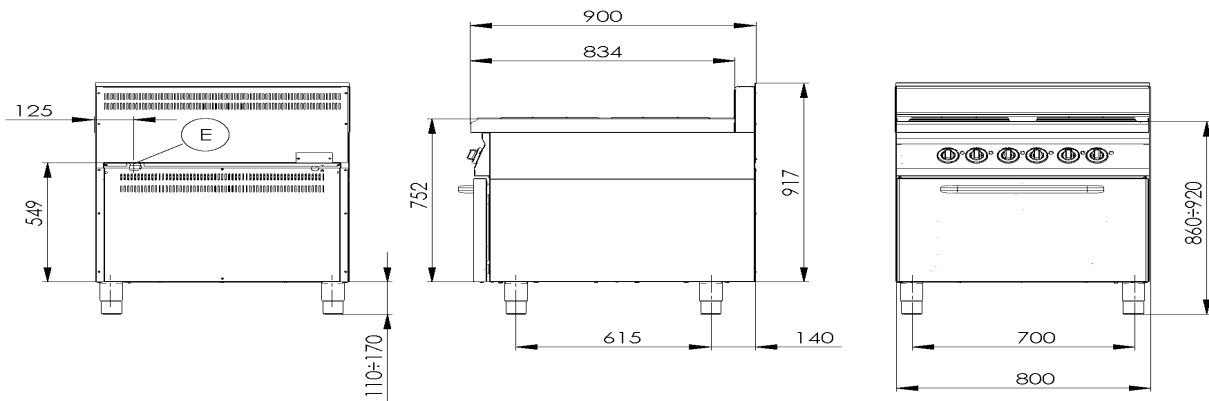
SP(Q,L) 90/40 E



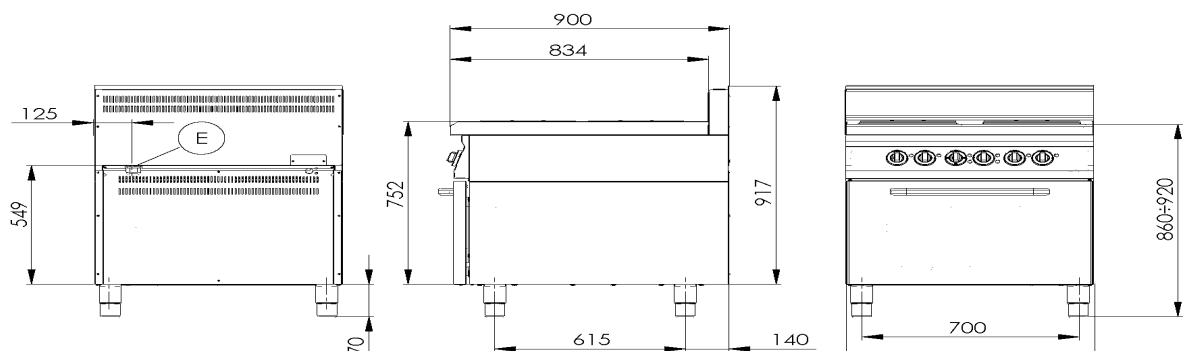
DIMENSION PLANS / MASSSKIZZEN / DIMENSIONS
SP(Q,L) 90/80 E



SP(Q,L)T 90/80 - 11 E

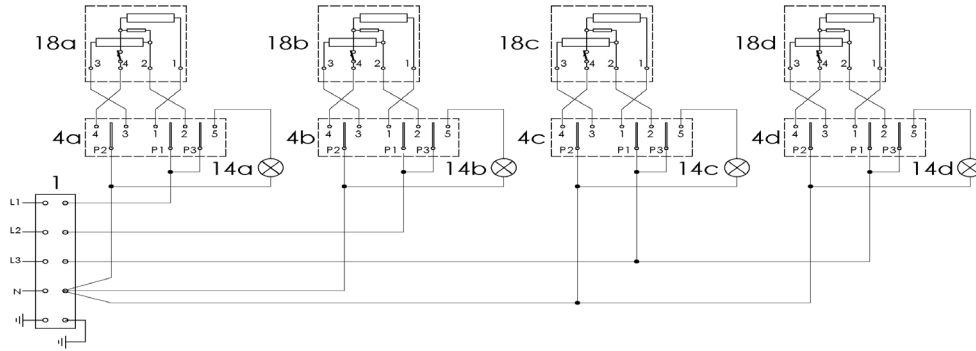


SP(Q,L)T 90/80 - 21 E

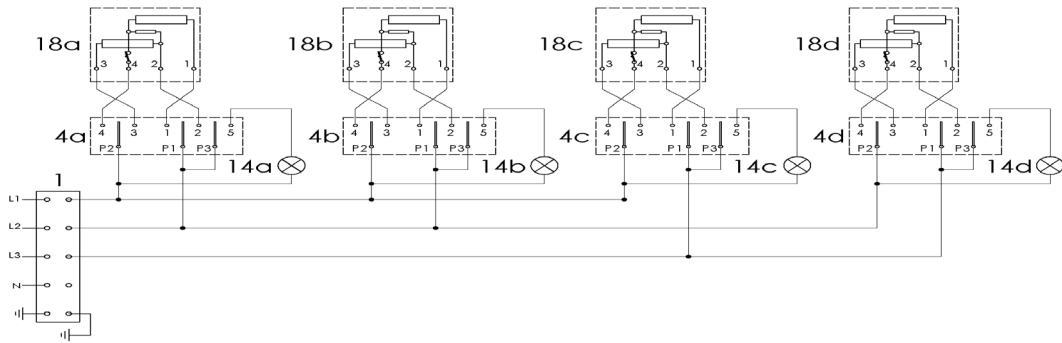


EL. CONNECTION DIAGRAM / SCHALTPLAN / SCHÉMA DU ELECTRIQUE

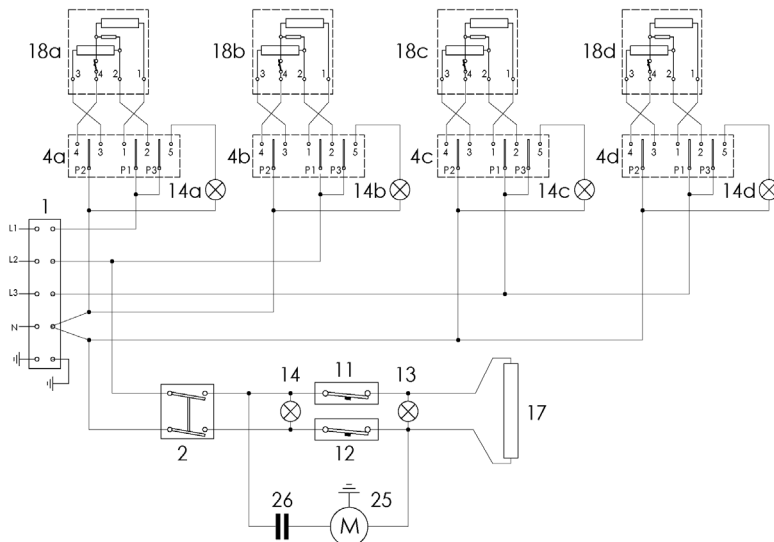
SP(Q,L) 90/80 E



SP(Q,L) 90/80 E (230V/3)

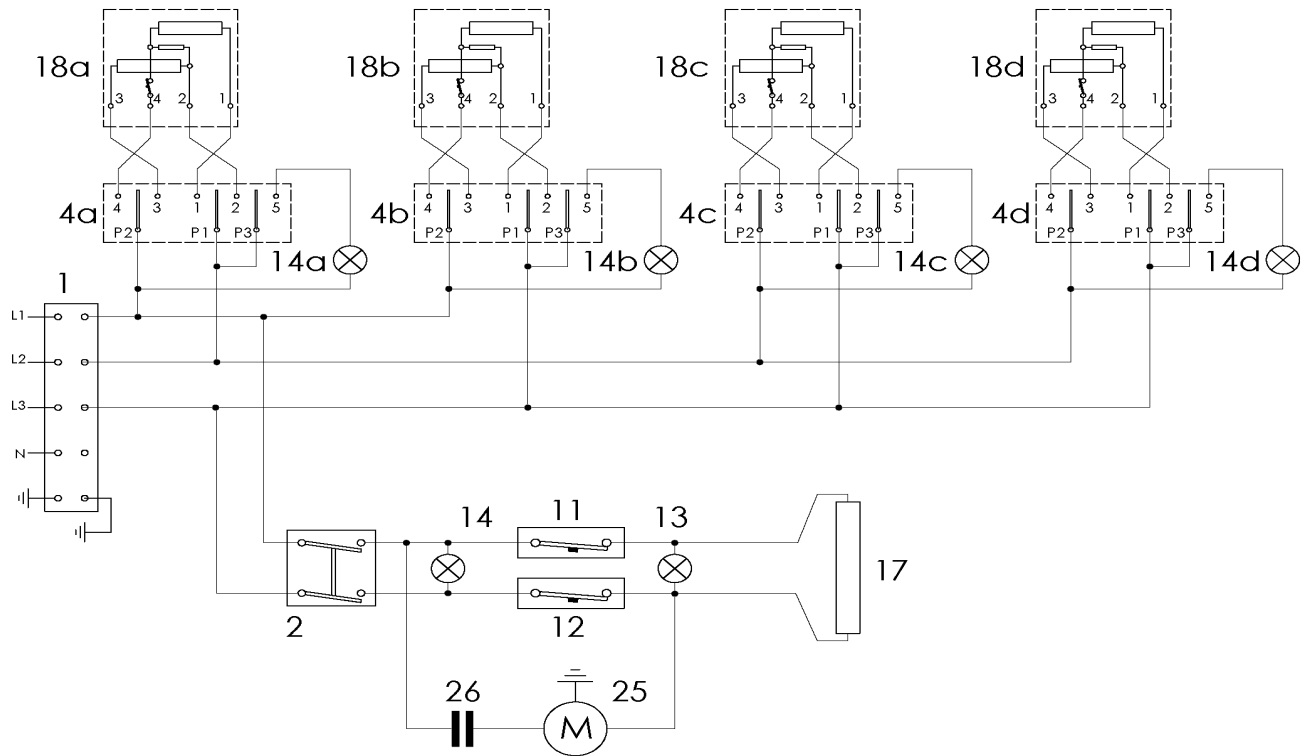


SP(Q,L)T 90/80 - 11 E

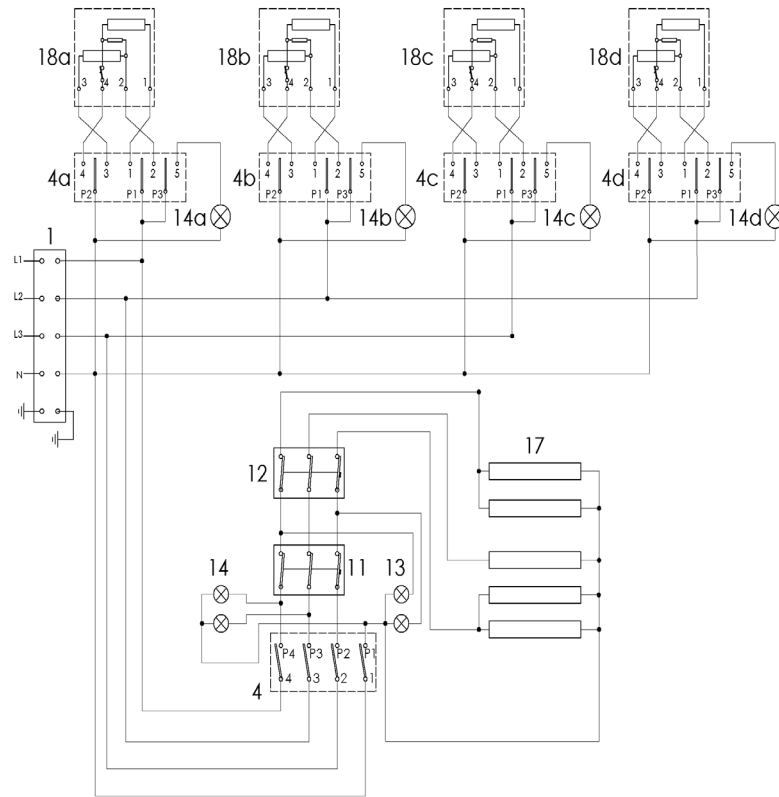


EL. CONNECTION DIAGRAM / SCHALTPLAN / SCHÉMA DU ELECTRIQUE

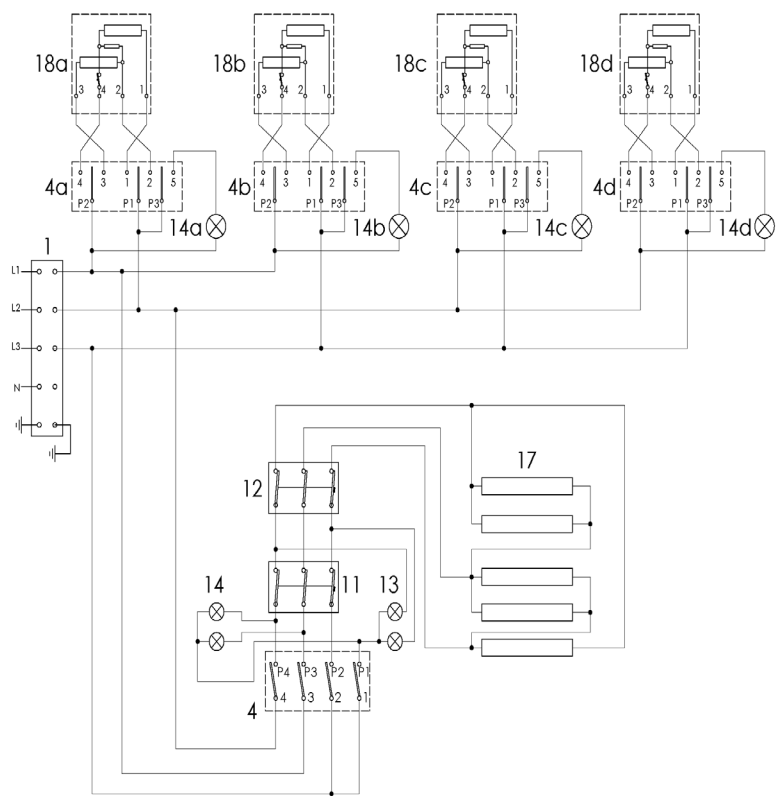
SP(Q,L) 90/80 - 11 E (230V/3)



SP(Q,L)T 90/80 - 21 E



SP(Q,L)T 90/80 - 21 E (230V/3)



Výrobce prohlašuje, že přístroje splňují základní požadavky směrnice 2014/30/EU (nařízení vlády č. 117/2016 Sb.) a požadavky směrnice 2014/35/EU (nařízení vlády č. 118/2016 Sb.).

Pozor, výrobce se vzdává jakékoli odpovědnosti v případě přímých i nepřímých poškození, které se vztahují ke špatné instalaci, nesprávným zásahem nebo úpravami, nedostatečnou údržbou, nesprávným používáním, a které jsou eventuálně způsobeny jinými příčinami, jež uvádí body uvedené v podmínkách prodeje. Tento spotřebič je určen pouze pro odborné používání a musí být obsluhován kvalifikovanými osobami. Části, které byly po nastavení zajištěny výrobcem nebo pověřeným pracovníkem, nesmí uživatel přestavovat.

Štítek s technickými údaji je umístěn na boku či zadním panelu přístroje. Před instalací si prostudujte elektrické schéma zapojení a všechny následující informace.

Model	GN	Typ	Účinnost	Spotřeba	Dimenze
SPT 90/80 - 21 E	6,0 / GN 2/1	4 x 3,5	21,0	400/3N/50	80x90x90 v
SPT 90/120 - 21 E	6,0 / GN 2/1	6 x 3,5	27	400/3N/50	120x90x90 v
SP 90/80 E	-	4 x 3,5	14,0	400/3N/50	80x90x90 v
SP 90/40 E	-	2 x 3,5	7,0	400/3N/50	40x90x90 v
SP 90/120 E	-	6 x 3,5	21	400/3N/50	120x90x90 v
SPLT 90/80 - 11 E	3,1 / GN 1/1	4 x 3	15,1	400/3N/50	80x90x90 v
SPLT 90/80 - 21 E	6,0 / GN 2/1	4 x 3	18,0	400/3N/50	80x90x90 v
SPL 90/80 E	-	4 x 3	12,0	400/3N/50	80x90x90 v
SPL 90/40 E	-	2 x 3	6,0	400/3N/50	40x90x90 v
SPQT 90/80 - 11 E	3,1 / GN 1/1	4 x 3,5	17,1	400/3N/50	80x90x90 v
SPQT 90/80 - 21 E	6,0 / GN 2/1	4 x 3,5	21,0	400/3N/50	80x90x90 v
SPQ 90/80 E	-	4 x 3,5	14,0	400/3N/50	80x90x90 v
SPQ 90/40 E	-	2 x 3,5	7,0	400/3N/50	40x90x90 v

UMÍSTĚNÍ

Ke správné činnosti a umístění spotřebiče je nutné dodržet následující směrnice dle norem TPG G 704 01, ČSN 127040 a ČSN 127010.

Rozbalte přístroj a zkontrolujte, zda se přístroj nepoškodil během přepravy. Umístěte přístroj na vodorovnou plochu (maximální nerovnost do 2°). Drobné nerovnosti lze vyrovnat regulovatelnými nožičkami.

Jestliže zařízení bude umístěno tak, že bude v kontaktu se stěnami nábytku, tyto musí odolávat teplotě až 60°C. Instalaci, seřízení, uvedení do provozu musí provést kvalifikovaná osoba, která má k takovýmto úkonům oprávnění a to dle platných norem.

Přístroj může být instalován samostatně nebo v sérii s přístroji naší výroby. Je nutno dodržovat minimální vzdálenost 10 cm od hořlavých materiálů. V tomto případě je nutné zabezpečit odpovídající úpravy, aby byla zabezpečena tepelná izolace hořlavých částí.

Spotřebič se musí instalovat pouze na nehořlavém povrchu nebo u nehořlavé stěny.

INSTALACE

Důležité:

Výrobce neposkytuje žádnou záruku na závady, vzniklé v důsledku nesprávného používání, nedodržování instrukcí obsažených v přiloženém návodu k použití a špatným zacházením se spotřebiči.

Instalaci, úpravy a opravy spotřebičů pro velkokuchyně, tak jako i jejich demontáž z důvodu možného poškození přívodu plynu, mohou být prováděny pouze na základě smlouvy o údržbě, tato smlouva může být uzavřena s autorizovaným prodejcem, přičemž musí být dodržovány technické předpisy a normy a předpisy týkající se instalace, elektrického přívodu, plynové přípojky a bezpečnosti práce.

Technické instrukce pro instalaci a seřízení, k použití POUZE pro specializované techniky.

Instrukce, které následují, se obrací k technikovi kvalifikovanému pro instalaci, aby provedl všechny operace způsobem co nejkorektnějším a podle platných norem.

Jakákoli činnost spojená s regulací apod. musí být vykonána pouze se zařízením odpojeným ze sítě. Je - li nutno udržovat spotřebič pod napětím je nutno dbát nejvyšší opatrnosti.

Typ spotřebiče pro provedení odtahu je deklarován na typovém štítku, jedná se o spotřebiče typu A1.

BEZPEČNOSTNÍ OPATŘENÍ Z HLEDISKA POŽÁRNÍ OCHRANY PODLE

ČSN 061008 ČL. 21

- obsluhu spotřebiče smí provádět pouze dospělé osoby
- spotřebič smí být bezpečně používán v souladu s normami:
ČSN 33 2000-4-482: Ochrana proti požáru v prostorách se zvláštním rizikem nebo nebezpečím
ČSN 33 2000-4-42: Ochrana před účinky tepla

- spotřebič je nutné umístit tak, aby stál nebo visel pevně na nehořlavém podkladu

Na spotřebič a do vzdálenosti menší než bezpečná vzdálenost od něho nesmějí být kladeny předměty z hořlavých hmot (nejmenší vzdálenost spotřebiče od hořlavých hmot je 10 cm).

Tabulka: stupeň hořlavosti stavební hmoty zařazené do st. hořlavosti (ČSN 730823) hmot a výrobků

Stupeň hořlavosti	Stavební hmoty
A - nehořlavé	žula, pískovec, betony, cihly, keramické obkladačky, omítky
B - nesnadno hořlavé	akumin, heraklit, lihnos, itaver
C1 - těžce hořlavé	dřevo, listnaté, překližky sirkoklit, tvrzený papír, umakart
C2 - středně hořlavé	dřevotřískové desky, solodur, korkové desky, pryž, podlahoviny
C3 - lehce hořlavé	dřevovláknité desky, polystyrén, polyureten, PVC

• informace o stupni hořlavosti běžných stavebních hmot uvádí tabulka níže. Spotřebiče musí být instalovány bezpečným způsobem. Při instalaci musí být dále respektovány příslušné projektové, bezpečnostní a hygienické předpisy dle:

- ČSN 06 1008 požární bezpečnost lokálních spotřebičů a zdrojů tepla
- ČSN 33 2000-4-482 ochrana proti požáru v prostorách se zvláštním rizikem nebo nebezpečím
- ČSN 33 2000-4-42 ochrana před účinky tepla

PŘIPOJENÍ ELEKTRICKÉHO KABELU DO SÍTĚ

Instalace elektrického přívodu - tento přívod musí být samostatně jištěn. A to odpovídajícím jističem jmenovitého proudu v závislosti na příkonu instalovaného přístroje. Příkon přístroje zkontrolujte na výrobním štítku na zadním panelu (či boku) přístroje.

Připojený zemnicí vodič musí být delší než ostatní vodiče. Přístroj připojte přímo na síť, je nezbytné vložit mezi spotřebič a síť vypínač s minimální vzdáleností 3 mm mezi jednotlivými kontakty, který odpovídá platným normám a zatížením. Přívod uzemnění (žlutozelený) nesmí tímto spínačem být přerušen. Přístroj určený pro připojení do zásuvky, připojte do sítě pokud má zásuvka odpovídající jištění.

V každém případě přívodní kabel musí být umístěn tak, že v žádném bodě nedosáhne teploty o 50 stupňů vyšší než prostředí. Než bude spotřebič připojen do sítě, je nutné se nejprve ujistit, že:

- přívodní jistič a vnitřní rozvod snesou proudové zatížení spotřebiče (viz štítek matrice)
- rozvod je vybaven účinným uzemněním podle norem (ČSN) a podmínek daných zákonem
- zásuvka nebo vypínač v přívodu jsou dobře přístupné od spotřebiče
- elektrický přívod do zařízení musí být z olejovzdorného materiálu

Vzdáváme se jakékoli zodpovědnosti v případě, že tyto normy nebudou respektovány a v případě porušení výše uvedených zásad.

Před prvním použitím musíte přístroj vyčistit viz. kapitola „čištění a údržba“. Spotřebič musí být uzemněn pomocí šroubu se značkou uzemnění.



- Tato etiketa označuje uzemňovací bod zařízení



Vidlici napájecího přívodu nezasunujte do el. zásuvky a nevytahujte z el. zásuvky mokřma rukama a taháním za napájecí přívod!

- **Nepoužívejte prodlužovací kabely nebo sdružené zásuvky.**
- **Přípojný bod sítě musí mít maximálně níže uvedenou impedanci Z_{MAX} dle ČSN EN 61000-3-11:2001. Z_{MAX} = 0,042 + j 0,026 Ω pro fázové vodiče a 0,028 + j 0,017 Ω pro nulový vodič**

NÁVOD K POUŽITÍ

ZAPNUTÍ PLOTÝNEK

Regulačním knoflíkem požadované plotýnky nastavíme požadovaný výkon - poloha „1÷6“. Rozsvítí se zelená kontrolka, která signalizuje, že plotýnka je pod elektrickým proudem. Plotýnku vypneme otočením regulačního knoflíku do polohy „0“.

Časovač

Časovač slouží pouze k signalizaci uplynutí nastaveného času.

OVLÁDÁNÍ HORKOVZDUŠNÉ TROUBY

Otočením regulačního knoflíku doprava, dojde k zapnutí ventilátoru. Toto je signalizováno zelenou kontrolkou. Po dalším otočení vpravo, nastavíme požadovanou teplotu. Chod topného tělesa je signalizován oranžovou kontrolkou. Po jejím zhasnutí je trouba vyhřátá na požadovanou teplotu. Troubu vypneme otočením knoflíku vlevo do polohy „0“.

OVLÁDÁNÍ STACIONÁRNÍ TROUBY

Přepínačem stacionární trouby si zvolíme zda-li budeme péct horními a dolními tělesy (poloha 1), nebo jen spodními (poloha 3) a nebo horními (poloha 2). Toto je signalizováno zelenými kontrolkami. Regulačním knoflíkem stacionární trouby nastavíme požadovanou teplotu. Chod topných těles je signalizován oranžovými kontrolkami. Po jejich zhasnutí je trouba vyhřátá na požadovanou teplotu. Troubu vypneme otočením obou knoflíků do polohy „0“.

UPOZORNĚNÍ

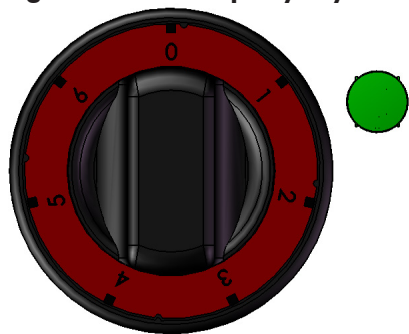
Záruka se nevztahuje na všechny spotřební díly podléhající běžnému opotřebení (gumová těsnění, žárovky, skleněné a plastové díly atd.). Záruka se též nevztahuje na zařízení pokud není provedena instalace v souladu s návodem – oprávněným pracovníkem dle odpovídajících norem a pokud bylo se zařízením neodborně manipulováno (zásahy do vnitřního zařízení) nebo bylo obsluhováno nezaškoleným personálem a v rozporu s návodem k použití, dále se nevztahuje na poškození přírodními vlivy či jiným vnějším zásahem. Přepační obaly a zařízení po ukončení životnosti odevzdejte do sběru.

Modely s tálovými plotnami

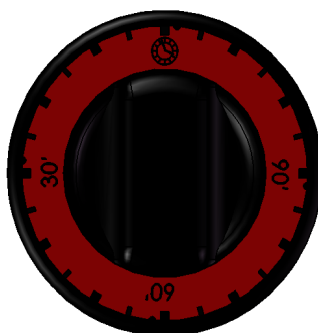
Čistit lze i prostor pod plotnami. Okolo ploten je prostor, který umožňuje smést nečistoty dovnitř zařízení, po vychladnutí se plotny uchopí a odloží na vrchní desku tak, aby byl přístup k vaně ve které jsou plotny umístěny. Nečistoty se pak vymetou otvorem který ústí do šuplíku. Tento šuplík se poté vysune, nečistoty se odstraní a šuplík vrátí zpět. Šuplík se vysouvá z přední strany zařízení (z čela).“

Ovládací prvky

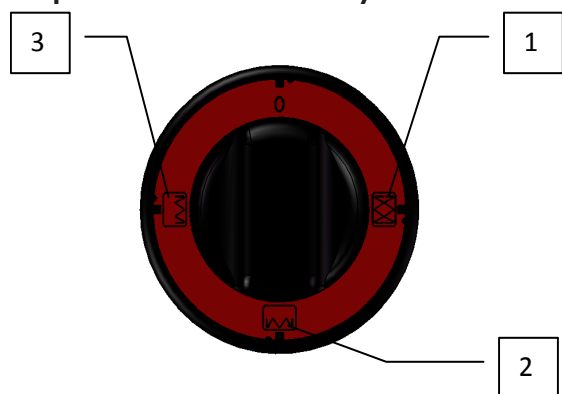
Regulační knoflík plotýnky



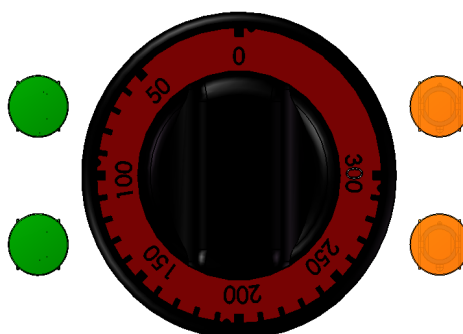
Regulační knoflík časovače



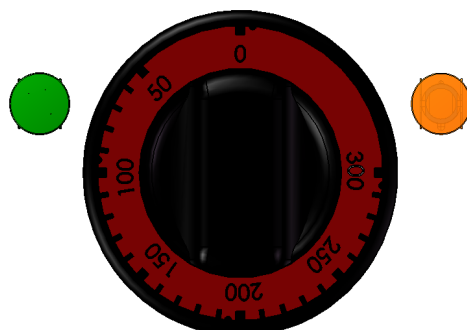
Přepínač stacionární trouby



Regulační knoflík teploty stacionární trouby




Vypínací a regulační knoflík horkovzdušné trouby



ČIŠTENÍ A ÚDRŽBA

Přístroj se musí alespoň 2 x ročně překontrolovat odborným servisem. Veškeré zásahy do přístroje může provádět pouze kvalifikovaná osoba, která má k takovýmto úkonům oprávnění.

POZOR!

 Zařízení se nesmí čistit přímou nebo tlakovou vodou. Čistěte zařízení denně. Denní údržba prodlužuje životnost a účinnost zařízení. Před započetím čištění se přesvědčte, jestli jste odpojili zařízení od elektrického proudu. Vždy vypněte hlavní přívod k zařízení. Nerezové části omyjte vlhkým hadrem se saponátem bez hrubých částic a vytřete do sucha. Nepoužívejte abrasivní nebo korosivní čisticí prostředky.

Pozor! Než-li začnete přístroj používat, je nutné z celého povrchu sejmout ochranné fólie, a pak jej dobře omýt vodou se saponátem na nádobí, a poté otřít vlhkým hadrem.

Jak postupovat v případě poruchy?

Vypněte elektrický (plynový) přívod a zavolejte servisní organizaci prodejce.

Záruka se navztahuje na všechny spotřební díly podléhající běžnému opotřebení (gumová těsnění, žárovky, skleněné a plastové díly atd.). Záruka se též nevztahuje na zařízení pokud není provedena instalace v souladu s návodem – oprávněným pracovníkem dle odpovídajících norem a pokud bylo se zařízením neodborně manipulováno (zásahy do vnitřního zařízení atd.) nebo bylo obsluhováno nezaškoleným personálem a v rozporu s návodem k použití, dále se záruka nevztahuje na poškození přírodními vlivy či jiným vnějším zásahem.

Přepravní obaly a zařízení po ukončení životnosti odevzdejte do sběru, dle předpisů o nakládání s odpadem a nebezpečným odpadem.

DEKLARACJA ZGODNOŚCI

Producent poświadczają, że urządzenia są zgodne ze standardami 2014/30/EU, 2014/35/EU, przepisami nr 117/2016, 118/2016 oraz z odpowiednimi wymogami obowiązkowymi. Montaż należy wykonać zgodnie z obowiązującymi przepisami.



Uwaga:

producent nie bierze odpowiedzialności za bezpośrednie lub pośrednie szkody spowodowane nieprawidłowym montażem, samowolną ingerencją lub przeróbkami, niewłaściwą konserwacją lub użytkowaniem, a także z innych przyczyn spowodowanych przez elementy określone w warunkach sprzedaży. Urządzenie wymaga odpowiedniego obchodzenia i powinno być obsługiwane wyłącznie przez wykwalifikowane osoby. Części zamontowane i zabezpieczone przez producenta lub upoważnione osoby nie powinny być przerabiane przez użytkownika.

DANE TECHNICZNE

Tabliczka z danymi technicznymi znajduje się na boku urządzenia. Przed montażem należy zapoznać się ze schematem połączeń elektrycznych i poniższymi informacjami.

Typ produktu	Moc pieca (kW) / typ	Moc płyty grzejnej (kW)	Moc całkowita (kW)	Napięcie (V/Hz)	Wymiary (cm)
SPT 90/80 - 11 E	3,1 / GN 1/1	4 x 3,5	17,1	400/3N/50	80x90x90 v
SPT 90/80 - 21 E	6,0 / GN 2/1	4 x 3,5	21,0	400/3N/50	80x90x90 v
SPT 90/120 - 21 E	6,0 / GN 2/1	6 x 3,5	27	400/3N/50	120x90x90 v
SP 90/80 E	-	4 x 3,5	14,0	400/3N/50	80x90x90 v
SP 90/40 E	-	2 x 3,5	7,0	400/3N/50	40x90x90 v
SP 90/120 E	-	6 x 3,5	21	400/3N/50	120x90x90 v
SPLT 90/80 - 11 E	3,1 / GN 1/1	4 x 3	15,1	400/3N/50	80x90x90 v
SPLT 90/80 - 21 E	6,0 / GN 2/1	4 x 3	18,0	400/3N/50	80x90x90 v
SPL 90/80 E	-	4 x 3	12,0	400/3N/50	80x90x90 v
SPL 90/40 E	-	2 x 3	6,0	400/3N/50	40x90x90 v
SPQT 90/80 - 11 E	3,1 / GN 1/1	4 x 3,5	17,1	400/3N/50	80x90x90 v
SPQT 90/80 - 21 E	6,0 / GN 2/1	4 x 3,5	21,0	400/3N/50	80x90x90 v
SPQ 90/80 E	-	4 x 3,5	14,0	400/3N/50	80x90x90 v
SPQ 90/40 E	-	2 x 3,5	7,0	400/3N/50	40x90x90 v

OPAKOWANIE I SPRAWDZENIE PRODUKTU

Urządzenie opuszcza zakłady odpowiednio zapakowane, właściwie oznakowane i etykietowane. Posiada również instrukcję obsługi. W przypadku, kiedy opakowanie nosioznaki niewłaściwego traktowania lub uszkodzenia, należy bezzwłocznie zgłosić ten fakt na piśmie u przewoźnika i podpisać protokół szkody.

Ważne

Niniejsza instrukcja powinna być przeczytana z uwagą, ponieważ zawiera ważne informacje bezpieczeństwa, montażu oraz obsługi.

-Produkt nie jest przeznaczony na zewnątrz - tylko do użytku w pomieszczeniach.

-Nigdy nie używaj urządzenia, jeśli przewód zasilający lub wtyczka zostały uszkodzone; jeśli nie działa prawidłowo, spadł na ziemię i został uszkodzony, lub wpadł do wody.

W takich przypadkach należy wezwać autoryzowany serwis lub dostarczyć urządzenie do serwisu, aby było możliwe sprawdzenie bezpieczeństwa i poprawności działania.

· należy uważnie zapoznać się z niniejszą instrukcją obsługi, ponieważ zawiera ona ważne informacje dotyczące elementów bezpieczeństwa, montażu i użytkowania

· podane zalecenia odnoszą się do opisanego produktu

· niniejszy produkt jest zgodny z obowiązującymi normami

· instrukcję należy zachować do przyszłego użytku

· produkt powinien znajdować się poza zasięgiem dzieci

· w razie sprzedaży lub przeniesienia produktu w inne miejsce, należy upewnić się, że personel obsługi oraz serwisanci zapoznali się z zaleceniami dotyczącymi obsługi i instalacji podanymi w załączonej instrukcji

· urządzenia mogą obsługiwać tylko upoważnione do tego osoby

· nie należy pozostawiać włączonego urządzenia bez nadzoru

· zalecamy, aby produkt był sprawdzany przez profesjonalny serwis przynajmniej raz w roku

· w razie napraw, należy używać wyłącznie oryginalnych części zamiennych

 · produktu nie należy czyścić strumieniami wody lub ciśnieniowo

· w razie uszkodzenia lub awarii, należy odłączyć wszystkie przewody zasilające (wodne, gazowe, elektryczne) i wezwać fachowy serwis

· producent nie bierze odpowiedzialności za szkody powstałe z powodu niewłaściwego montażu, nieprzestrzegania powyższych zaleceń, użytkowania niezgodnego z przeznaczeniem, itp.

- Produkt jest przeznaczony do użytku tylko w pomieszczeniach.

Nigdy nie używaj urządzenia, jeśli przewód zasilający lub wtyczka zostały uszkodzone, jeśli nie działa prawidłowo, spadł na ziemię i został uszkodzony lub wpadł do wody. W takich przypadkach należy zanieść urządzenie do specjalistycznej służby, aby sprawdzić jego bezpieczeństwo i prawidłowe działanie

USTAWIENIE

Do regulacji i instalacji urządzenia jest konieczne, by pomieszczenie - kuchnia - było odpowiednio wentrowane (wg istniejących norm). Jeżeli urządzenie będzie umieszczone tak, że będzie stykać się ze ścianą pomieszczenia (kuchni), musi być ściana odporna na temperaturę powyżej 60°C.

Ważne jest by po odpakowaniu urządzenia, skontrolować czy urządzenie nie zostało uszkodzone w czasie transportu. Urządzenie umieścić na poziomej powierzchni (z max nierównościami do 2°). Drobne nierówności można wyrównać za pomocą nóżek.

Urządzenie może być instalowane oddzielnie lub w serii z innymi urządzeniami naszej produkcji. Jest ważne utrzymać odległość 10 cm od materiałów łatwopalnych. W takim przypadku ważne jest dodatkowe zabezpieczenie materiałami izolującymi.

INSTRUKCJE TECHNICZNE DOTYCZĄCE INSTALACJI I REGULACJI

Ważne

Producent nie odpowiada za usterki, które powstały na skutek nieodpowiedniej eksploatacji urządzenia wbrew instrukcji obsługi.

Poniższe instrukcje przeznaczone są dla wykwalif kowanego pracownika autoryzowanego serwisu, aby przeprowadził instalację w poprawny sposób, zgodnie z obowiązującymi normami.

Jakakolwiek regulacja powinna być przeprowadzona przy urządzeniu odłączonym od sieci. Jeśli jednak zaistnieje konieczność regulacji w trakcie pracy urządzenia, należy zachować szczególną ostrożność.

INSTALACJA

Instalacja, naprawy i ustawienia urządzeń do kuchni profesjonalnych i demontaż mogą być przeprowadzane tylko na podstawie umowy o utrzymywaniu. Taka umowa może być podpisana ze sprzedawcą urządzenia. Muszą być zachowane wszystkie normy i przepisy dotyczące instalacji i bezpieczeństwa pracy.

Wentylacja pomieszczenia musi być odpowiednio zaprojektowana, wg. istniejących przepisów i norm. Urządzenie może być zainstalowane samodzielnie lub w serii z innymi naszymi urządzeniami. Od ewentualnej ściany z łatwopalnego materiału musi być dotrzymany odstęp ponad 10cm.

ŚRODKI BEZPIECZEŃSTWA ZWIĄZANE Z OCHRONĄ POŻAROWĄ

ZGODNIE Z NORMĄ EN 061008 ART. 21

Stopień palności materiałów budowlanych sklasyfikowany według metody określania stopnia palności materiałów i produktów (EN 730823)

A niezapalne	granit, piaskowiec, betony, cegły, płytki ceramiczne, tynk
B niełatwo zapalne	akumine, heraklite, lihnos, itavere
C1 trudno zapalne	drewno z drzew liściastych, sklejka, sirkoklit, laminat
C2 średnio zapalne	plyty pilśniowe, solodure, płyty korkowe, guma, wykładziny podłogowe
C3 łatwo zapalne	plyty z włókien drzewnych, polistyren, poliuretan, PVC

Urządzenia należy instalować w sposób bezpieczny. Podczas montażu należy przestrzegać wymogów dotyczących projektowania, bezpieczeństwa i higieny zgodnie z:

- EN 061008 ochrona pożarowa urządzeń i źródeł ciepła
- EN 332000 (33 2000-4-482; 33 2000-4-42) otoczenie urządzeń elektrycznych

PODŁĄCZENIE PRZEWODU ZASILAJĄCEGO

Przewód elektryczny powinien posiadać oddzielny bezpiecznik, odpowiadający mocy instalowanego pieca. Moc urządzenia należy skontrolować na tabliczce znamionowej umieszczonej na bocznej ścianie urządzenia.


Przewód uziemiający musi być dłuższy od pozostałych przewodów. Urządzenie należy podłączyć bezpośrednio do sieci. Między urządzeniem a siecią należy zamontować wyłącznik zabezpieczający zgodny z normami. Przewód uziemiający (żółto-zielony) nie może być podłączony do tego wyłącznika.

Przewód elektr. powinien być umieszczony tak, aby w żadnym punkcie nie osiągnął temp. o 50° wyższej od otoczenia. Przed podłączeniem do sieci należy sprawdzić czy:

- bezpiecznik wewn. oraz instalacja są odpowiednie do obciążenia urządz.(patrz tabl. znam.)
- instalacja posiada uziemienie zgodne z normami
- wył. zabezp. jest łatwo dostępny

Producent nie ponosi odpowiedzialności w przypadku nie zachowania odpowiednich norm lub naruszenia w / w zasad.

Przed użyciem, urządzenie należy wyczyścić (patrz rozdz. czyszczenie i konserwacja). Urządzenie musi być uziemione za pomocą śruby z oznaczeniem uziemienia.

-  - Nie wkładaj wtyczki zasilania do źródła zasilania. szuflady i nie wyciągaj z el. gniazda z mokrymi rękami i ciągnąc za zasilaczem!
- Nie używaj przedłużaczy ani gniazd.

INSTRUKCJA OBSŁUGI

WŁĄCZENIE PŁYT GRZEJNYCH

Włączenie płyt grzejnych

Włączyć płytę grzejną pokrętkiem sterującym, ustawiając pożądaną moc „1÷6”. Zapalenie zielonej lampki kontrolnej oznacza włączenie zasilania płyty grzejnej. Aby wyłączyć płytę, należy ustawić pokrętko z powrotem w pozycji „0”.

Czasomierz

Czasomierz służy tylko do wskazania ustawionego czasu.

STEROWANIE PIECA KONWEKCYJNEGO

Przekręcenie pokrętła sterującego w prawo powoduje włączenie wentylatora. Jest to sygnalizowane zapaleniem zielonej lampki LED. Następnie, ustawić pokrętkiem sterującym wymaganą temperaturę. Pracę podgrzewacza wskazuje pomarańczowa lampka LED, jej zgaszenie oznacza, że piec jest podgrzany do wymaganej temperatury. Wyłączyć piec przekręcając pokrętko w lewo do pozycji „0”.

STEROWANIE PIECA STATYCZNEGO

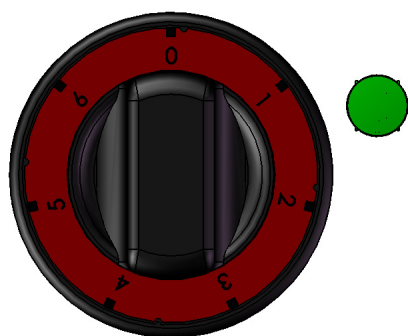
Istnieje możliwość ustawienia pokrętła sterującego jednocześnie dla górnego i dolnego podgrzewacza (pozycja 1), tylko dla dolnego podgrzewacza (pozycja 3), lub tylko górnego podgrzewacza (pozycja 2). Jest to sygnalizowane zapaleniem zielonej lampki LED. Ustawić pokrętkiem sterującym wymaganą temperaturę. Pracę podgrzewacza wskazuje pomarańczowa lampka LED, jej zgaszenie oznacza, że piec jest podgrzany do wymaganej temperatury. Wyłączyć piec przekręcając pokrętko w lewo do pozycji „0”.

CFL, PCL

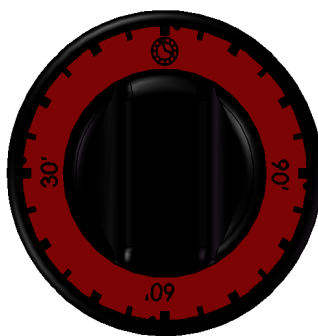
Można również wyczyścić miejsce pod płytami grzewczymi. Wokół płyt jest przestrzeń, która umożliwia zamiecenie zanieczyszczeń do wnętrza urządzenia; po wystudzeniu płyty wyjmuje się i odkłada na górnej powierzchni tak, aby uzyskać dostęp do wanny, w której płyty były ułożone. Wtedy zanieczyszczenia usuwa się przez otwór, który prowadzi do szuflady. Później tę szufladę wysuwa się, wyrzuca zanieczyszczenia i wkłada się ją z powrotem. Szuflada wysuwa się w przedniej części urządzenia (od czoła).

POKRĘTŁA STERUJĄCE

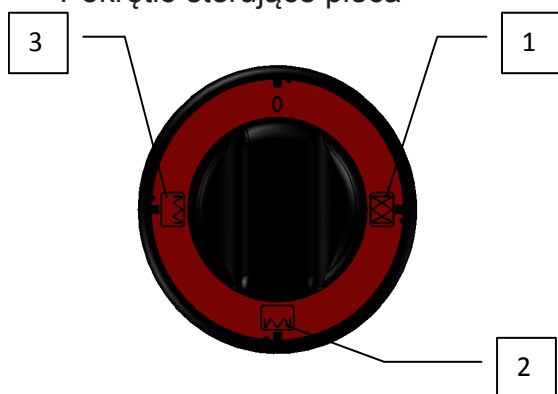
Pokrętko sterujące płyty grzejnej



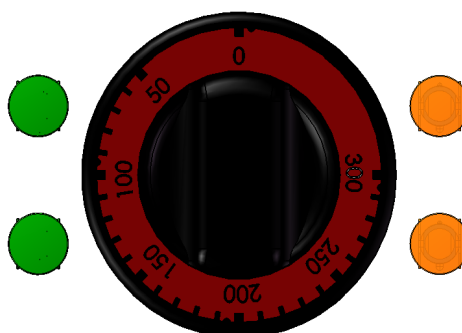
Pokrętko sterujące czasomierza



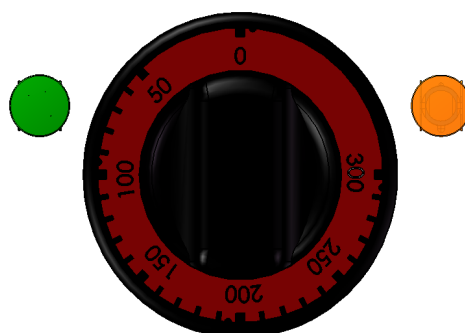
Pokrętko sterujące pieca



Pokrętko sterujące termostatu pieca



Pokrętko sterujące pieca konwekcyjnego




CZYSZCZENIE I KONSERWACJA

Zaleca się kontrolę urządzenia przez profesjonalny serwis 2 razy w roku. Wszystkie interwencje w urządzeniu może przeprowadzać tylko przeszkolona osoba, która ma wymagane do tego uprawnienia.

Uwaga! Przed rozpoczęciem używania urządzenia należy ściągnąć z całej powierzchni folię ochronną oraz przemyć urządzenie wodą z płynem do naczyń, a następnie przetrzeć wilgotną szmatką.

- Czyszczenie przede wszystkim powierzchni, która jest w kontakcie z żywnością musimy przeprowadzać codziennie i bardzo dokładnie.
- Części nierdzewnych nie wolno czyścić pastami gruboziarnistymi lub środkami agresywnymi.
- Do czyszczenia nie używać papierów ściernych.
- W razie silnego zabrudzenia powierzchni dopuszczalne jest użycie gąbki z utwardzoną powierzchnią.
- Urządzenie czyścić wyłącznie zimne - w przeciwnym wypadku grozi to oparzeniem.
- W czasie dłuższej przerwy w eksploatacji urządzenia należy je zakonserwować olejem jadalnym i wyłączyć zasilanie elektryczne.
- Urządzenia nie należy czyścić wodą pod ciśnieniem (z węża).

 **W razie awarii:**
Odłączyć zasilanie elektryczne. Wezwać autoryzowany serwis.

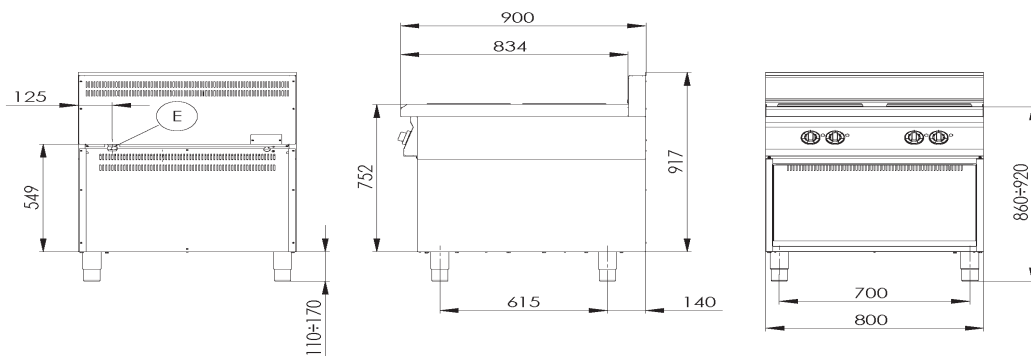
GWARANCJA

Gwarancja nie obejmuje żadnych części, które podlegają naturalnemu zużyciu (uszczelki, żarówki, części plastikowe i szklane itp.) Gwarancja nie obejmuje również urządzenia jeśli podłączone było nie zgodnie z instrukcją lub przez osoby nie posiadające odpowiednich uprawnień. Gwarancja nie obejmuje uszkodzeń spowodowanych warunkami atmosferycznymi lub przez osoby trzecie.

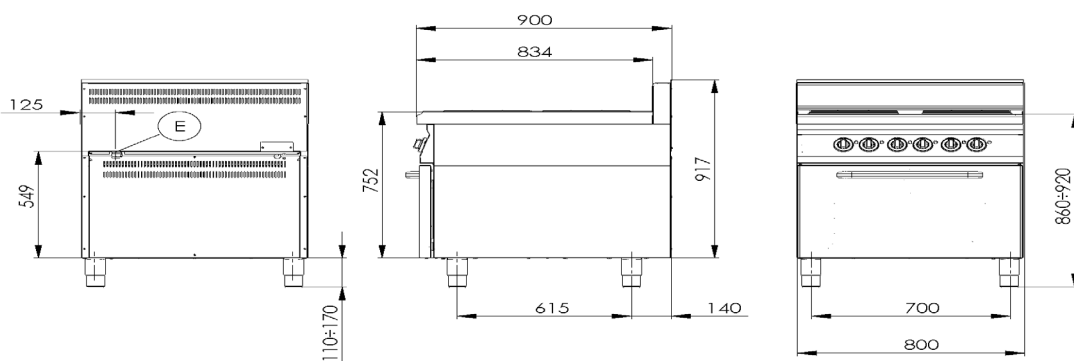
ROZMĚROVÝ NÁČRTEK S PŘÍPOJNÝMI BODY

RYSUNKI WYMIAROWE

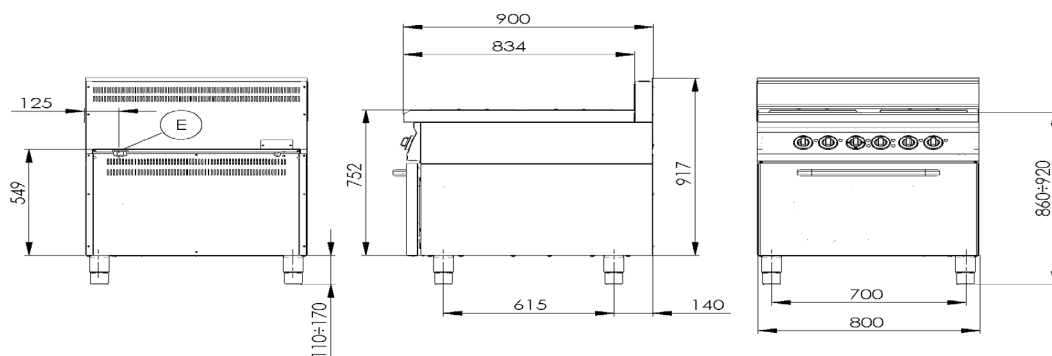
SP(Q,L) 90/80 E



SP(Q,L)T 90/80 - 11 E



SP(Q,L)T 90/80 - 21 E



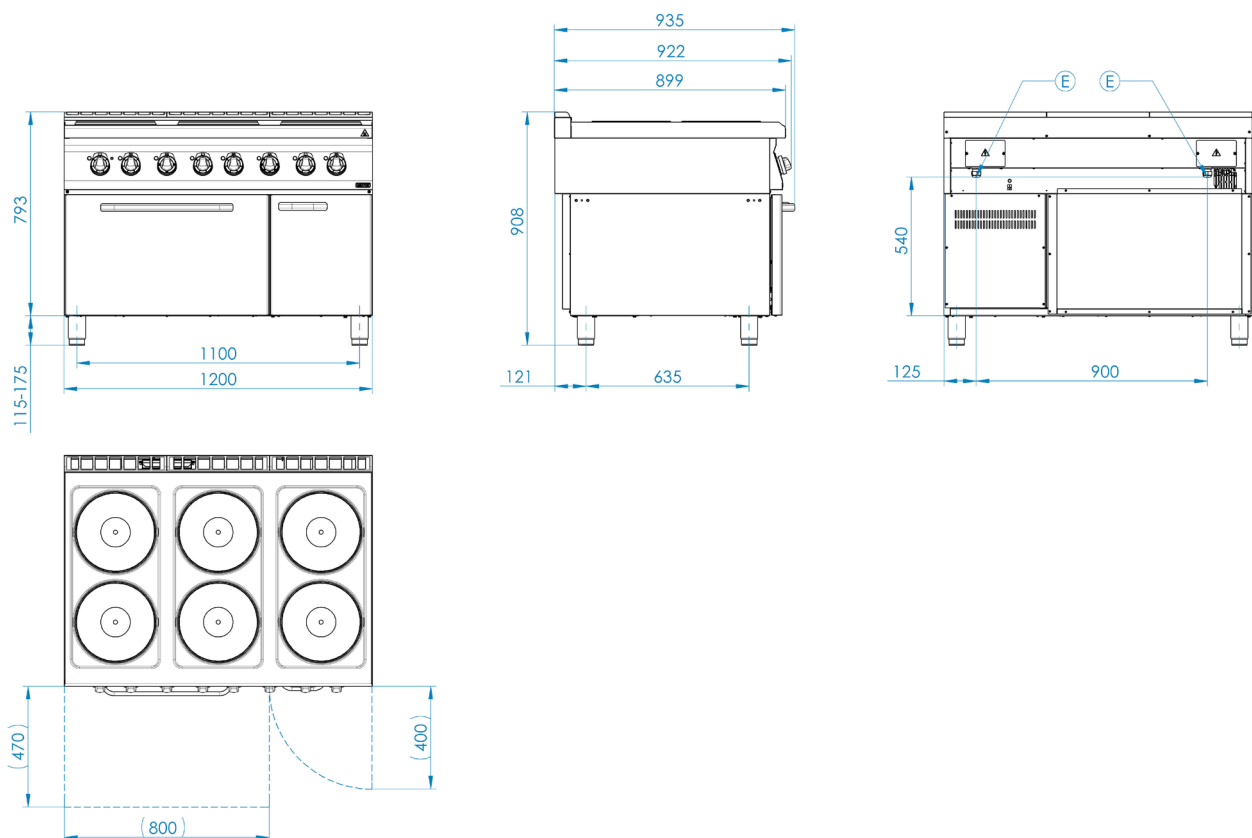
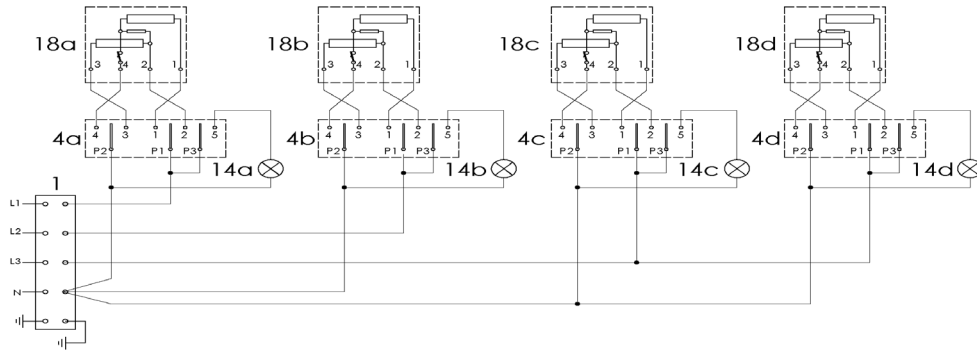
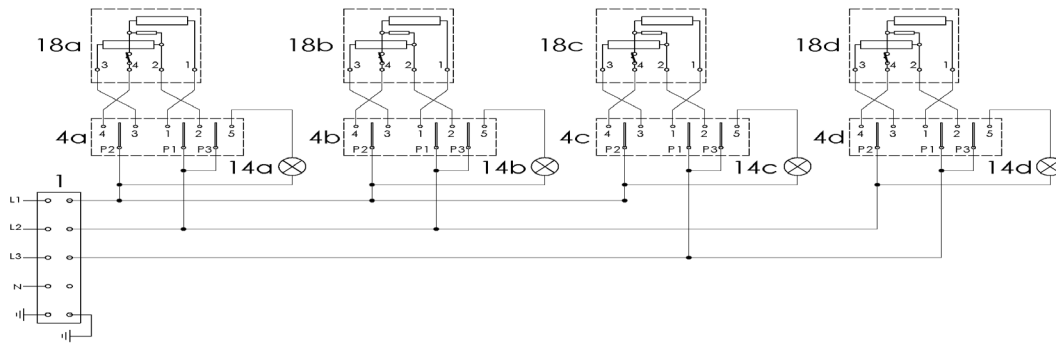


SCHÉMA ZAPOJENÍ SCHEMAT POŁĄCZEŃ ELEKTRYCZNYCH

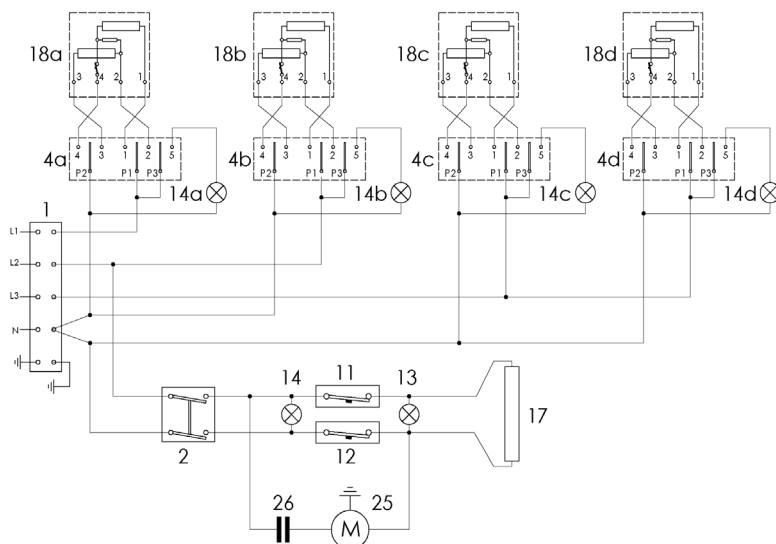
SP(Q,L) 90/80 E

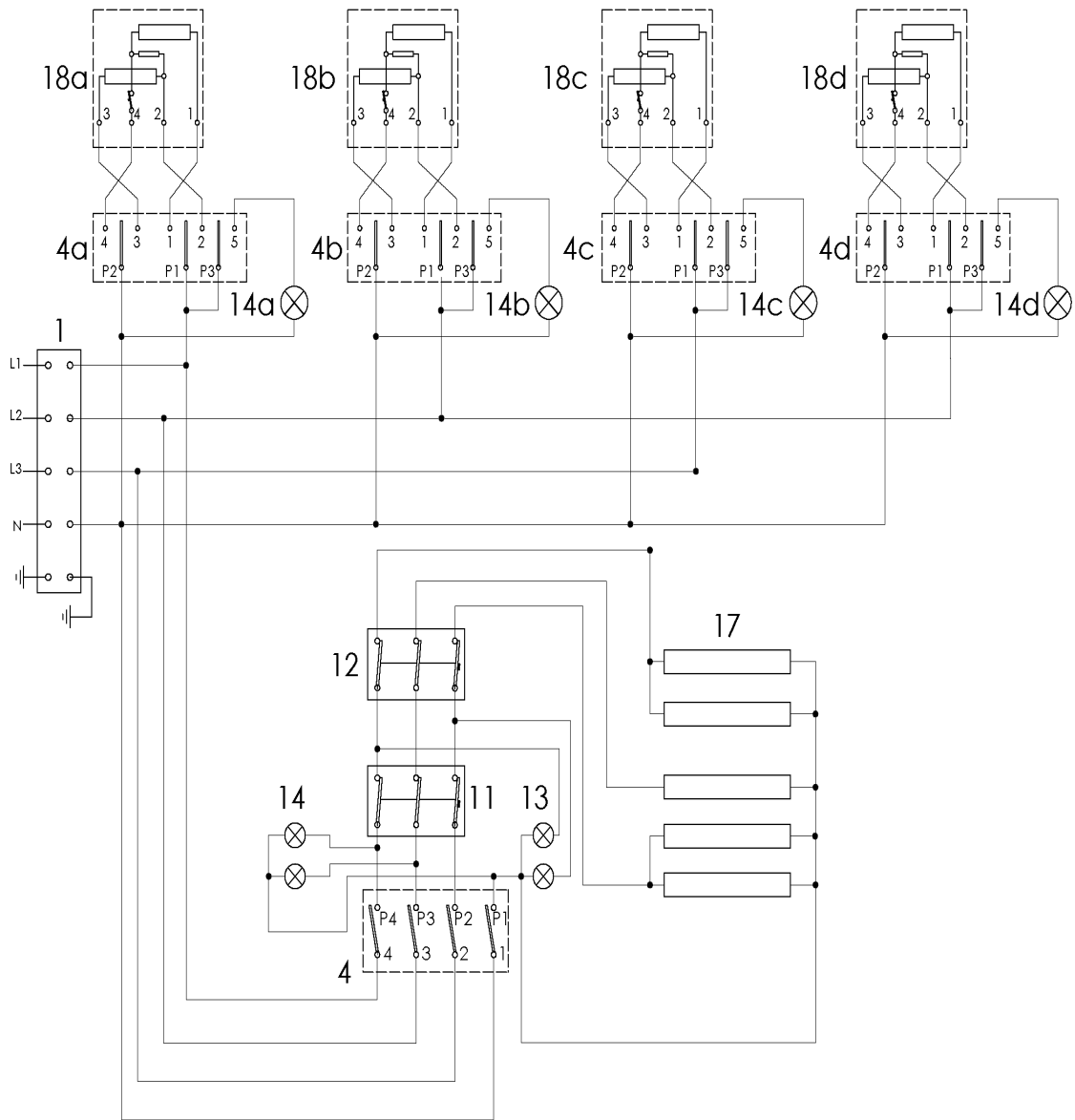


SP(Q,L) 90/80 E (230V/3)



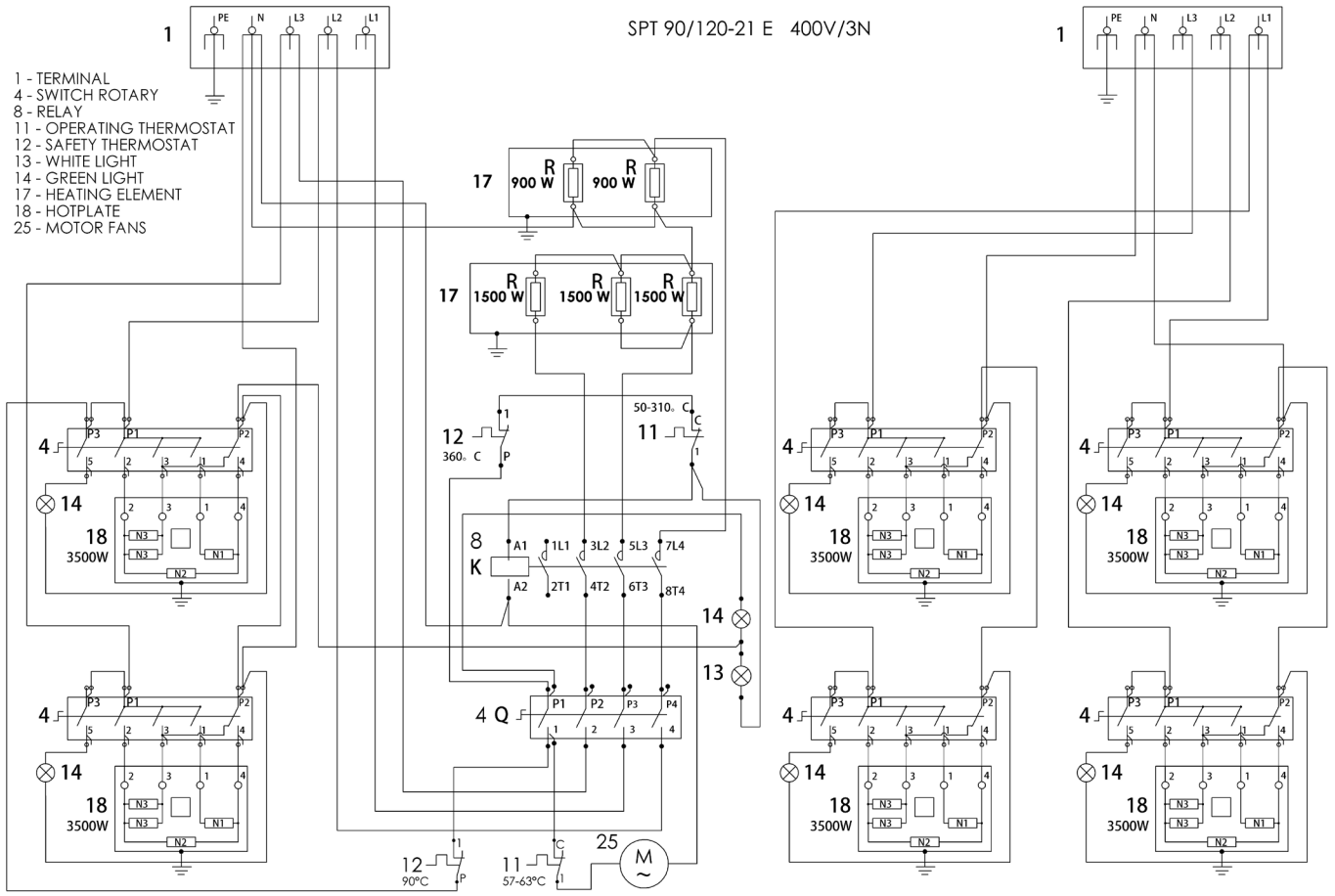
SP(Q,L)T 90/80 - 11 E





SPT 90/120-21 E 400V/3N

- 1 - TERMINAL
- 4 - SWITCH ROTARY
- 8 - RELAY
- 11 - OPERATING THERMOSTAT
- 12 - SAFETY THERMOSTAT
- 13 - WHITE LIGHT
- 14 - GREEN LIGHT
- 17 - HEATING ELEMENT
- 18 - HOTPLATE
- 25 - MOTOR FANS



1- SVORKOVNICE	17- TOPNÉ TĚLESO
2- VYPÍNAČ 0/I	18- PLOTÝNKA
3- VYPÍNAČ PROSVĚTLENÝ 0/I	19- TRANSFORMÁTOR
4- PŘEPÍNAČ OTOČNÝ	20- POJISTKA
5- TLAČÍTKOVÝ SPÍNAČ	21- RHEOSTAT
6- KONCOVÝ SPÍNAČ	22- TERMOČLÁNEK
7- MIKROSPÍNAČ	23- ČIDLO
8- RELÉ	24- MOTOR ZDVIHU
9- KONTAKTY RELÉ	25- MOTOR VENTILÁTRU
10- ČASOVÝ SPÍNAČ	26- KONDENZÁTOR ROZBĚHOVÝ
11- TERMOSTAT PRACOVNÍ	27- ZAPALOVACÍ SVÍČKA
12- TERMOSTAT POJISTNÝ	28- PLYNOVÝ VENTIL (SIT)
13- KONTROLKA ORANŽOVÁ	29- ZÁSUVKA
14- KONTROLKA ZELENÁ	30- DIGITÁLNÍ TEPLMĚR
15- DIODA	31- ŘÍDÍCÍ JEDNOTKA
16- VNITŘNÍ OSVĚTLENÍ	

IZJAVA O SAGLASNOSTI SA NORMAMA

Proizvodjač proglašava da uređaji ispunjavaju norme evropskog parlamenta i savjeta 2004/108/ES, 2006/95/ES. Instalacija mora biti provedena prema važećim normama.

Pozor, proizvođač ne snosi odgovornost u slučaju direktnog i/ili indirektnog oštećenja, a koje može biti uzrokovano neodgovornom ili neprofesionalnom instalacijom, neispravnom opravom i/ili korištenjem, nedovoljnim održavanjem i čišćenjem, te ostalim faktorima koji su uvedeni u uputstvu, odnosno uslovima prodaje. Ovaj uređaj je namijenjen samo k profesionalnom korišćenju i upotrebi, tako da mora biti servisiran samo kvalifikovanim osobljem. Dijelovi koji su bili instalirani od strane proizvođača ili njim povjerene osobe, ne smije korisnik mijenjati, niti opravljati.

TEHNIČKI PODACI

Naljepnica sa tehničkim podacima se nalazi sa zadnje ili bočne strane aparata. Prije nego što aparat počnete koristiti prostudirajte shemu elektr. instalacije i ostale odgovarajuće informacije.

TYP	CUPTOR ELECTRIC (KW)	PUTURE PLOČA (KW)	PUTURE (KW)	TENSIUNE (V)	DIMENSIUNI (CM)
SPT 90/80 - 11 E	3,1 / GN 1/1	4 x 3,5	17,1	400/3N/50	80x90x90 v
SPT 90/80 - 21 E	6,0 / GN 2/1	4 x 3,5	20,0	400/3N/50	80x90x90 v
SP 90/80 E	-	4 x 3,5	14,0	400/3N/50	80x90x90 v
SP 90/40 E	-	2 x 3,5	7,0	400/3N/50	40x90x90 v
SPLT 90/80 - 11 E	3,1 / GN 1/1	4 x 3	15,1	400/3N/50	80x90x90 v
SPLT 90/80 - 21 E	6,0 / GN 2/1	4 x 3	18,0	400/3N/50	80x90x90 v
SPL 90/80 E	-	4 x 3	12,0	400/3N/50	80x90x90 v
SPL 90/40 E	-	2 x 3	6,0	400/3N/50	40x90x90 v
SPQT 90/80 - 11 E	3,1 / GN 1/1	4 x 3,5	17,1	400/3N/50	80x90x90 v
SPQT 90/40 - 21 E	6,0 / GN 2/1	4 x 3,5	20,0	400/3N/50	80x90x90 v
SPQ 90/80 E	-	4 x 3,5	14,0	400/3N/50	80x90x90 v
SPQ 90/40 E	-	2 x 3,5	7,0	400/3N/50	40x90x90 v

PRIKLJUČIVANJE EL. KABLA U STRUJU

CF-90/80-11 E - 5x4mm²

CF-90/80-21 E - 5x6mm²

PC-90/80 (40) E - 5x4mm²

KONTROLA PAKOVANJA I APARATA

Uredjaj napušta naše skladište uredno zapakovan, na pakovanju se nalaze simboli i opis tipa aparata. U pakovanju ćete naći uputstvo za upotrebu. Ukoliko bi se na pakovanju vidjelo da je s njim bilo loše manipulirano, da je pakovanje oštećeno, morate to odmah riješiti sa prijevoznikom, a to tako što ćete s njim napisati i obostrano potpisati protokol o šteti. Kasnije reklamacije nećemo uzimati u obzir.



Važno upozorenje

Ovo uputstvo mora biti pažljivo pročitano, budući da sadrži bitne informacije o sigurnosti, instalaciji i korištenju.

- Ove preporuke se odnose na ovaj proizvod ili liniju proizvoda.
- Ovo uputstvo se treba sačuvati i za buduće korištenje.
- Zabranite djeci da koriste uređaj.
- Prilikom preprodaje ili izmjene pozicije uređaja, neophodno je upoznati servis i osoblje sa priloženim uputstvom za upotrebu i instalaciju.
- Uredjaj smije koristiti samo poslušač koji je upoznat sa uputstvom.
- Nesmijete ostavljati uređaj bez nadzora.
- Preporučuje se kontrola autorizovanim servisom minimalno 2x godišnje.
- U slučaju oprave ili izmjene rezervnog dijela, koristite samo originalne dijelove.
- Uredjaj se ne smije čistiti vodom pod pritiskom (tuš ili crijevo sa vodom).
- U slučaju kvara, isključite aparat iz struje, prekinite dovod vode i/ili plina, a potom se obratite na autorizovani servis.
- Proizodjač ne snosi odgovornost u slučaju pogrešne instalacije, nedodržavanjem gore navedenih preporuka, odnosno neodgovornim korištenjem i sl.
- Uredjaj smije biti korišten samo k tomu čemu je namijenjen, drugi način korištenja može uzrokovati oštećenje aparata ili, čak, tjelesne povrede.
- Moramo najstrožije dodržavati pravila protivpožarne zaštite.

POZICIJA

Za ispravan rad i položaj aparata neophodno je dodržavati smjernice i norme propisane u uputstvu.

Raspakujte uređaj i prekontrolirajte da se nije slučajno oštetiо tijekom transporta. Smjestite uređaj na vodoravnu podlogu (maksimalna neravnina do 2°). Male neravnine možemo regulirati nožicama.

Ako je aparat smješten tako da će biti u neposrednoj blizini namještaja, taj mora biti otporan na toplotu od 60°C. Instalaciju, podešavanje i početak korištenja mora biti proveden kvalifikovanim osobom, koja je k tomu povjerena od strane autorizovanog servisa.

Uredjaj može biti instaliran samostalno ili u seriji sa ostalim našim proizvodima. Obavezno dodržavajte minimalnu udaljenost 10 cm od lako zapaljivih predmeta. U takvom slučaju, moraju biti provedene određene izmjene kako bi izolirale zapaljive materijale.

Uredjaj smije biti instaliran samo na nezapaljivoj površini i pored vatrostalnog zida.

INSTALACIJE

Važno:

Proizvodjač ne daje nikakvu garanciju na greške uzrokovane neispravnim korištenjem, nepridržavanjem danih instrukcija ili neodgovornim korištenjem proizvoda.

Instalaciju, izmjene i oprave, a jednako tako i demontažu, ukoliko je aparat oštećen, može provesti samo odgovorna osoba, a to povjerena autorizovanim servisom. I to na osnovu ugovora o prodaji i održavanju koji može biti sklopljen samo sa oficijalnim predstavnikom proizvođača, a mora sadržavati sve tehničke propise i norme koje se tiču instalacije, dovoda struje i plina, te bezbjednosti rada.

Tehničke instrukcije za instalaciju i podešavanje služe samo SPECIJALIZIRANIM serviserima.

Instrukcije, koje slijede tiču se tehničara kvalifikovanih za instalaciju uređaja, a da bi to učinili na što korektniji i odgovorniji način, a to prema zadanim normama.

Bilo koja djelatnost vezana za regulaciju i sl., mora biti provedena samo kada je aparat isključen i prekinut dovod plina i/ili vode. Dok aparat ne isključite i odpojite, budite maksimalno oprezni i pažljivi prilikom rukovanja.

Kakav trebate koristiti odvod dima, možete vidjeti na naljepnici sa deklaracijom tipa aparata, radi se o aparatima tipa A1.

BEZBJEDNOSNE MJERE PROTIVPOŽARNE ZAŠTITE

- Koristiti uređaj smiju samo odrasle osobe.
- Uređaj smije biti korišten samo u tome namijenjenom prostoru.
- Uređaj postavite tako da stoji na vatrostalnoj podlozi.

Na uređaj i u njegovoj blizini ne smiju biti postavljeni lako zapaljivi predmeti (najmanja dozvoljena udaljenost između aparata i zapaljivih materijala je 10 cm).

- Informacije o stupnju zapaljivosti uobičajenih građevinskih materijala možete vidjeti na tabeli. Uređaj mora biti instaliran na bezbjednom mjestu. Prilikom instalacije moraju biti respektovani priloženi projektni materijali, sigurnosni i higijenski propisi.

Stupanj zapaljivosti	Gradjevinski materijal
A - nezapaljive	granit, pijesak, beton, cigle, keramičke pločice, žbuka
B - teško zapaljive	akumin, heraklit, lihnos, itaver
C1 - veoma zapaljive	drvo, sirkoklit, tvrdi papir, sadrokarton
C2 - srednje zapaljive	iverica, solodur, pluto, guma, linoleum
C3 - lehce hořlavé	dřevovláknité desky, polystyrén, polyureten, PVC

Uredjaji moraju biti instalirani na bezbijedan način. Prilikom instalacije uredjaja moraju biti respektovani predloženi projektne materijali, bezbijednosni i hidrienski propisi.

PRIKLJUČIVANJE EL. KABLA U STRUJU

Instalacija dovoda struje - taj dovod mora imati svoj poseban osigurač. A to odgovarajući prema snazi i naponu instalovanog aparata. Ove podatke ćete naći na naljepnici sa zadnje ili bočne strane aparata.

Uzemljenje može biti duže od ostalih spojnika. Uredjaj pripojite direktno na struju, a neophodno je da instalirate medju uredjajem i strujom prekidač, i to na udaljenosti 3mm medju samostalnim kontaktima, tako da bi odgovarao važećim normama i opterećenju. Uzemljenje (žuto-zeleno) ne smije biti tim prekidačem prekinuto. Aparat je predvidjen da se uključi u utičnicu, ukoliko ima odgovarajući osigurač.

U svakom slučaju, dovod mora biti postavljen tako da kabel niti na jednom mjestu ne može imati toplotu višu za 50 stupnjeva od sredine u kojoj se nalazi. Prije nego što kabel spojite, uvjerite se da:

- osigurač i razvodi mogu podnijeti opterećenje samog aparata (pogledaj naljepnicu)
- razvodi imaju odgovarajuće uzemljenje a to prema normama i uslovima odredjenim zakonom
- utičnica ili prekidač su lako pristupni.

Ne preuzimamo bilo kakvu odgovornost u slučaju da se nisu dane instrukcije respektovale ili ako se nije postupalo prema danim uputama.

Prije prve upotrebe pročitajte poglavlje „čišćenje i održavanje“. Uredjaj mora biti uzemljen pomoću već označenih šarafa.

UPUTSTVO ZA UPOTREBU

UKLJUČIVANJE PLOČA ZA KUHANJE (REŠO)

Regulacijskim dugmetom odgovarajuće ploče, namjestimo željenu snagu, položaj od 1 do 6. Rasvjetlit će se zelena lampica, koja signalizira da je ploča uključena, isključit ćemo je tako što dugme okrenemo do položaja 0.

Snaga ploče prema poziciji:

- 1 – 350W
- 2 – 550W
- 3 – 800W
- 4 – 1700W
- 5 – 2500W
- 6 – 3500W

Stoperica

Stoperica služi samo za mjerenje vremena.

Korištenje konvekcijske pećnice

Okretanjem regulacijskog dugmeta udesno, dolazi do paljenja ventilatora. To je signalizirano zelenim svjetlom. Prilikom sljedećeg pomjeranja udesno, zadajemo željenu toplotu. Rad grijača je signaliziran narandžastim svjetlom. U slučaju njegovog gašenja, znamo da smo postigli željenu toplotu. Pećnicu isključujemo tako što dugme damo do pozicije 0.

Korištenje klasične pećnice

Prekidačem odredimo da li ćemo peći pomoću gornjih i donjih grijača (položaj 1), odnosno donjima (pol. 3) ili gornjima (pol. 2). To je signalizirano zelenim svjetlom. Regulacijskim dugmetom odredimo željenu toplotu. Rad grijača kontroliše narandžasto svjetlo, kada se ugase postigli smo traženu toplotu. Pećnicu isključujemo postavljanjem oba dugmeta u položaj 0.

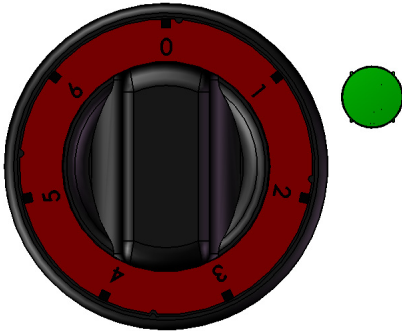
Upozorenje

Garancija se ne odnosi na dijelove koji podliježu tekućem korištenju (gumice, svjetla, stakleni i plastični dijelovi, itd.). Garancija također ne vrijedi u slučaju neodgovorne instalacije, ili provedene neovlaštenom osobom, a također ukoliko nisu dodržovane propisane norme, ili ukoliko je uređaj korišten na neodgovoran način, korišten nezaučenim osobljem, dalje, ako su na uređaju radjene izmjene ili oprave neautorizovanom osobom. Također, ukoliko je uređaj korišten protivno njegovoj namjeni ili uputama za korištenje, utjecajem prirodnih nepogoda.

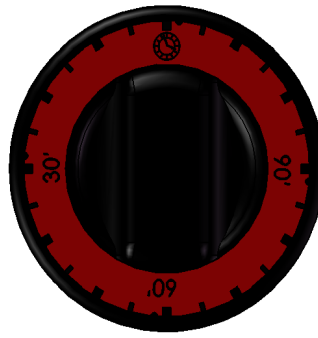
Ambalažu i uređaj reciklirajte po završetku upotrebe.

Ovladanje

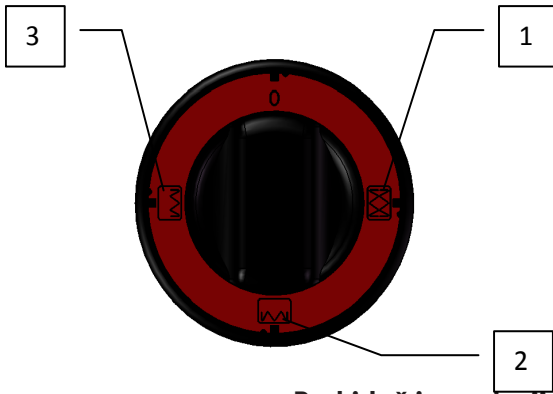
Regulacijsko dugme ploče



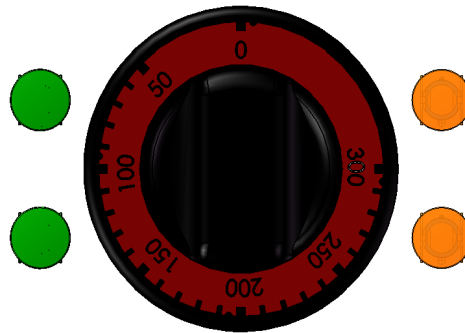
Regulacijsko dugme stoperice



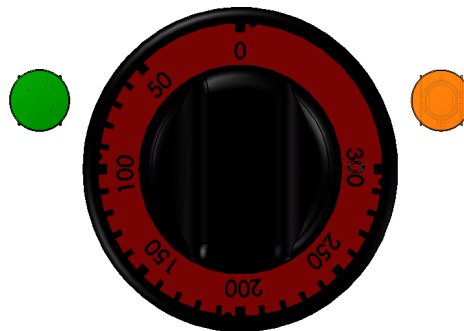
Prekidač klasične pećnice



Regulacijsko dugme toplote pećnice




Prekidač i regulacija toplote kod konvekcijske pećnice



ČIŠĆENJE I ODRŽAVANJE

Aparat prekontrolišite barem 2 x godišnje autorizovanim serviserom. Bilo kakve oprave ili instalacije mogu biti provedene samo kvalifikovanom osobom koja je za takve zadatke odgovorna.

POZOR!

 Aparat ne smijete čistiti vodom koja je pod pritiskom; npr. tuš, crijevo. Čistite ga svakodnevno. Dnevno održavanje produžava život i upotrebnu vrijednost aparata. Prije početka čišćenja, provjerite da li ste aparat isključili iz struje. Uvijek provjerite glavni dovod. Dijelove od nehrdjajućeg čelika čistite vlažnom krpom i tekućim deterdžentom za sudje, potom operite čistom vodom i detaljno osušite. Nemojte koristiti abrazivna ili korozivna sredstva za čišćenje.

Pozor! Prije nego što počnete uređaj koristiti, obavezno sa njega skinite zaštitne folije i operite ga prema gore navedenim uputama.

Šta učiniti u slučaju kvara?

Isključite aparat iz struje i nazovite autorizovani servis.

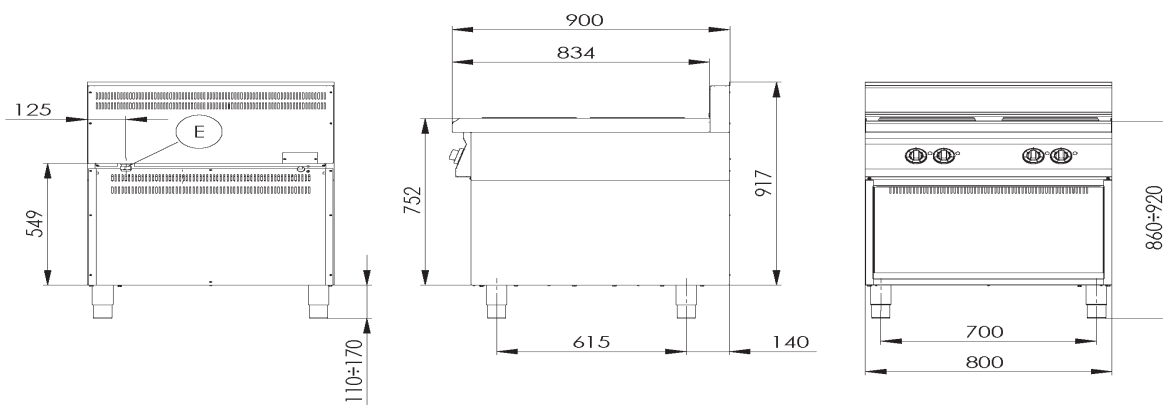
UPOZORENJE

Garancija se ne odnosi na potrošne dijelove (kao što su: gumice, lampice, stakleni i plastični dijelovi...). Garancija se također ne odnosi na uređaj koji nije priključen i instaliran prema uputama, odgovornim serviserom, a prema danim normama. Isto tako, ukoliko su bile napravljene izmjene ili oprave koje nisu predviđene (oprave unutrašnje instalacije) ili ako je uređaj korišten nepoučenim ili neprofesionalnim osobljem, odnosno protivno instrukcijama navedenim u uputstvu za upotrebu. Također, garancija ne vrijedi ukoliko ja aparat oštećen vanjskim ili klimatskim uticajima.

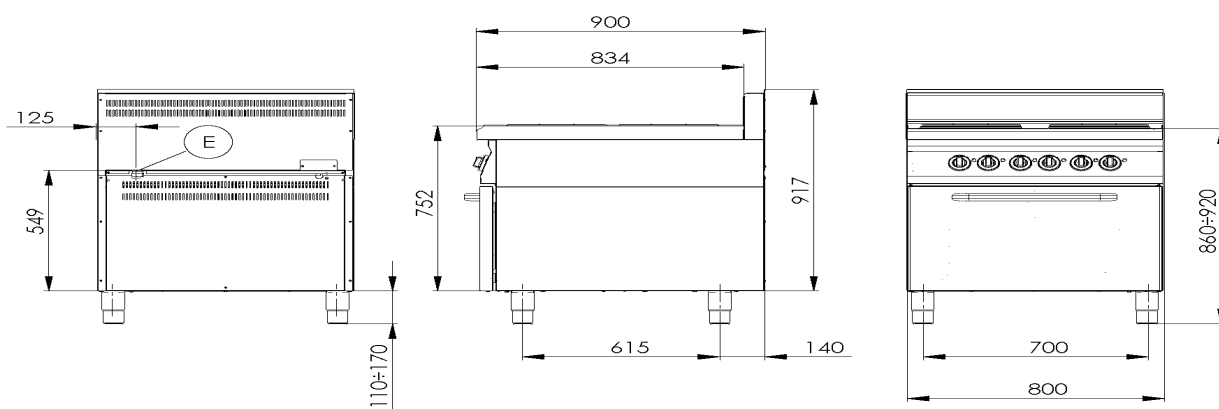
Neophodno je provoditi kontrolu uređaja svakih 6 mjeseci. Tu kontrolu treba da provede autorizovani serviser. U slučaju ne održavanja ove preporuke, proizvođač se ograđuje od bilo kakve odgovornosti za štetu na imovini ili zdravlju.

Ambalažu pakovanja i uređaj poslije kraja njegove upotrebne vrijednosti, predajte na otpad, a to prema danim propisima o likvidaciji.

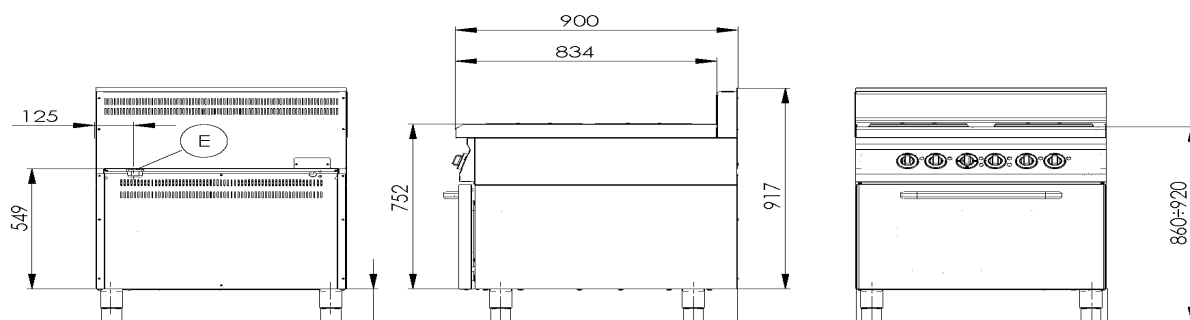
SP(Q,L) 90/80 E



SP(Q,L)T 90/80 - 11 E

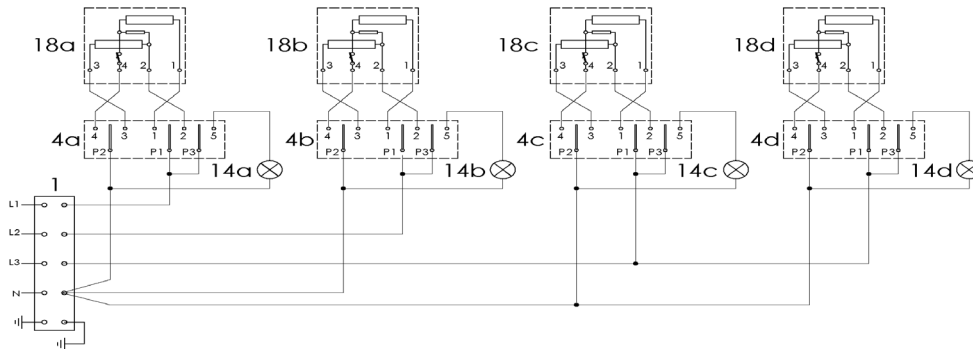


SP(Q,L)T 90/80 - 21 E

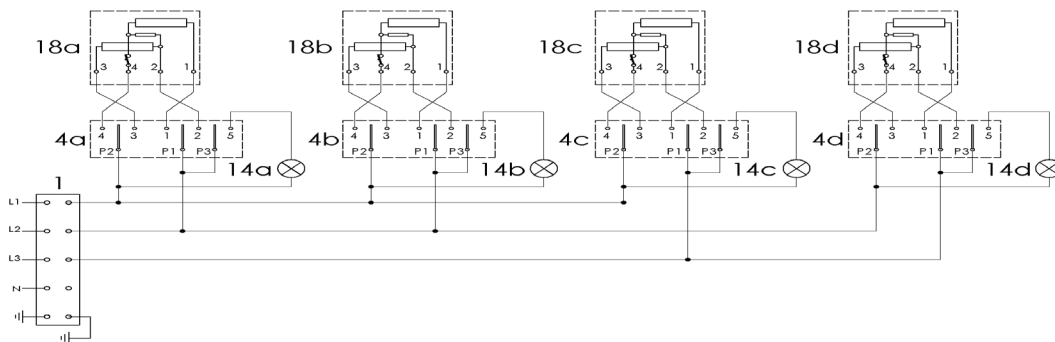


SHEMA PRIKLJUČKA

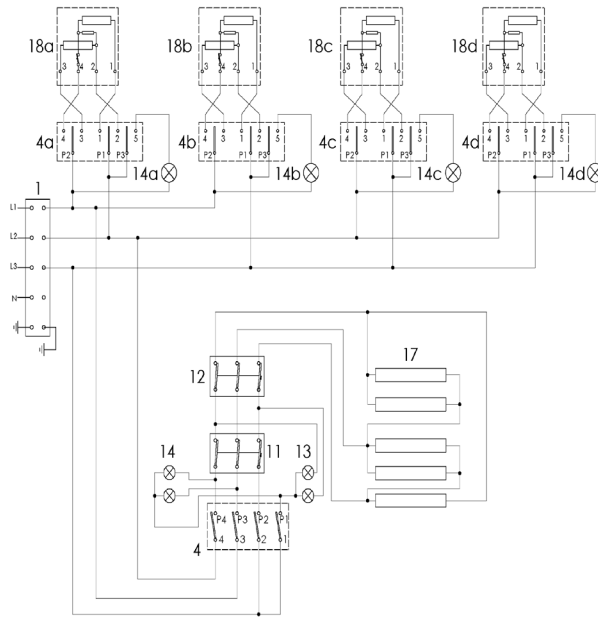
SP(Q,L) 90/80 E



SP(Q,L) 90/80 E (230V/3)



SP(Q,L)T 90/80 - 21 E (230V/3)



FRANÇAIS 
TERMINAL

2	SWITCH O / I	SWITCH O / I	INTERRUPTEUR O / I
3	ILLUMINATED SWITCH O / I	BELEUCHTETE SWITCH O / I	INTERRUPTEUR ILLUMINÉ O / I
4	ROTARY SWITCH	SWITCH ROTARY	SWITCH ROTARY
5	PUSH BUTTON SWITCHES	DRUCKSCHALTER	BOUTON POUSSOIR
6	LIMIT SWITCH	ENDSCHALTER	LIMIT SWITCH
7	MICROSWITCH	MIKROSCHALTER	MICRO
8	RELAY	RELAY	RELAIS
9	RELAY CONTACTS	RELAISKONTAKTE	CONTACTS DE RELAIS
10	TIMER	TIMER	TIMER
11	OPERATING THERMOSTAT	THERMOSTAT WORK	TRAVAIL DU THERMOSTAT
12	SAFETY THERMOSTAT	SICHERHEIT THERMOSTAT	THERMOSTAT DE SÉCURITÉ
13	WHITE LIGHT	WEISSLICHT	L'ORANGE
14	GREEN LIGHT	GRÜNES LICHT	LE VERT
15	DIODE	DIODE	DIODE
16	INTERIOR LIGHT	INNENLEUCHTEN	ECLAIRAGE INTERIEUR
17	HEATING ELEMENT	HEIZELEMENT	ELEMENT DE CHAUFFAGE
18	HOTPLATE	HERDPLATTE	PLAQUE CHAUFFANTE
19	TRANSFORMER	TRANSFORMER	TRANSFORMATEUR
20	FUSE	FUSE	FUSIBLE
20	RHEOSTAT	RHEOSTAT	RHEOSTAT
22	THERMOCOUPLE	THERMOCOUPLE	THERMOCOUPLE
23	SENSOR	SENSOR	CAPTEUR
24	MOTOR LIFT	STROKE ENGINE	MOTEUR DE COURSE
25	MOTOR FANS	MOTOR FANS	VENTILATEURS MOTEUR
26	STARTING CONDENSER	AB CONDENSER	À PARTIR CONDENSEUR
27	SPARK PLUG	ZÜNDKERZE	BOUGIE
28	GAS VALVE (SIT)	GASVENTIL (SIT)	VANNE DE GAZ (SIT)
29	SOCKET	OUTLET	SORTIE
30	DIGITAL THERMOMETER	DIGITAL THERMOMETER	THERMOMÈTRE NUMÉRIQUE
31	CONTROL UNIT	STEUEREINHEIT	UNITÉ DE CONTRÔLE
32	DIGITAL TIMER		

DECLARAȚIE DE CONFORMITATE CU NORMELE

Producătorul declară că aparatele sunt conforme cu normele 2009/142/ES, 2004/108/ES, 2006/95/ES, cu legea nr. 22/1997 sb., nr. 258/2000 sb., nr. 616/2006 sb., 17/2003 sb. și cu prevederile relevante ale Guvernului. Instalarea trebuie efectuată în conformitate cu normele actuale. Atenție, producătorul nu-și asumă răspundere în cazuri de defecțiuni directe sau indirecte, datorate instalării sau modificărilor incorecte, întreținerii necorespunzătoare, utilizării defectuoase, sau care sunt rezultatul altor cauze decât cele menționate în punctul despre condițiile vânzării. Acest aparat este destinat exclusiv spre utilizare specializată și trebuie deservit de către personal calificat. Piese, care au fost sigilate de către producător sau un lucrător împuternicit în acest sens nu pot fi remontate

DATE TEHNICE

Menționăm faptul că echipamentul cu caracteristicile tehnice descrise în prezentul manual nu se încadrează în categoria echipamentelor pentru uz casnic, echipamentul fiind destinat în exclusivitate uzului comercial, de către personal calificat.

Plăcuța cu datele tehnice este amplasată pe partea din spate a aparatului. Înainte de a instala aparatul studiați cu atenție informația de pe aceasta.

Typ	Putare (kW)	Dimensiuni (cm)	TENSIUNE (V)	Cuptor electric (kW)
SPT 90/80 11 E	4 x 3,5	80x90x90 v	400/3N/50	3,1 / GN 1/1
SPT 90/80 21 E	4 x 3,5	80x90x90 v	400/3N/50	6,3 / GN 2/1
SPT 90/120 21 E	6 x 3,5	120x90x90 v	400/3N/50	6,3 / GN 2/1
SP 90/80 E	4 x 3,5	80x90x90 v	400/3N/50	-
SP 90/40 E	2 x 3,5	40x90x90 v	400/3N/50	-
SP 90/120 E	6 x 3,5	120x90x90 v	400/3N/50	-
SPLT 90/80 11 E	4 x 2,5	80x90x90 v	400/3N/50	3,1 / GN 1/1
SPLT 90/80 21 E	4 x 2,5	80x90x90 v	400/3N/50	6,3 / GN 2/1
SPL 90/80 E	4 x 2,5	80x90x90 v	400/3N/50	-
SPL 90/40 E	2 x 2,5	40x90x90 v	400/3N/50	-
SPQT 90/80 11 E	4 x 3,5	80x90x90 v	400/3N/50	3,1 / GN 1/1
SPQT 90/40 21 E	4 x 3,5	80x90x90 v	400/3N/50	6,3 / GN 2/1
SPQ 90/80 E	4 x 3,5	80x90x90 v	400/3N/50	-
SPQ 90/40 E	2 x 3,5	40x90x90 v	400/3N/50	-

VERIFICAREA AMBALAJULUI ȘI APARATULUI

Aparatul iese din depozitele noastre ambalat în mod regulamente, cu indicarea simbolurilor și însemnelor corespunzătoare. Ghidul de deservire corespunzător se găsește în ambalaj. Dacă ambalajul prezintă semne de manevrare necorespunzătoare sau urme de deteriorare, este necesar de atenționat transportatorul și de a face un proces verbal de deteriorare.

Avertismente importante

-Produsul este destinat utilizării numai în interior.

Nu folosiți niciodată dispozitivul cu sursa sau cablul de alimentare deteriorate sau dacă nu funcționează corect, a căzut pe jos și s-a deteriorat sau dacă a căzut în apă. În astfel de cazuri duceți dispozitivul la un service specializat pentru a se verifica siguranța și funcționarea corectă

- Acest ghid trebuie citit cu atenție pentru că conține informații importante despre securitate, instalare și utilizare
- Următoarele recomandări se aplică acestui produs
- Produsul este conform cu normele actuale
- Acest ghid trebuie păstrat pentru utilizarea ulterioară
- Împiedicați manipularea aparatului de către copii
- La vânzare sau relocare asigurați-vă că deservirea aparatului va fi efectuată în conformitate cu instrucțiunile din ghidul anexat
- Produsul poate fi deservit doar de către personalul instruit
- Poate fi utilizat doar pentru prepararea produselor alimentare
- Să nu fie lăsat fără supraveghere
- Se recomandă o inspectare specializată minim 1 dată pe an
- În cazul unei reparații piesele trebuie înlocuite doar cu piese de schimb originale
- A nu se curăța produsul cu jet direct de apă sau apă sub presiune
- În caz de defectare sau disfuncție a aparatului se cere de a deconecta orice alimentare (apă, electricitate, gaz) și de apelat la un servis autorizat
- Producătorul nu-și asumă răspundere în cazul defecțiunilor datorate instalării incorecte, nerespectării avertismentelor susmenționate, utilizării în alte scopuri, etc.

INSTALAREA

Instrucțiuni tehnice pentru instalare și reglare

Destinat DOAR utilizării de către tehnicieni specializați.

Instrucțiunile următoare sunt destinate tehnicianului calificat pentru reparație: Toate operațiunile trebuie să fie efectuate cât mai atent și în conformitate cu normele actuale!!!

Important:

Orice activitate de reglare a aparatului trebuie efectuată după deconectarea acestuia de la rețeaua electrică. Dacă e nevoie de lăsat aparatul sub tensiune, se cere să fie mai atenți!

AMPLASAREA

Pentru asigurarea funcționalității aparatului, spațiul (bucătăria) unde va fi amplasat acesta trebuie să fie bine aerisit (referitor la aceasta: tehnicianul să urmeze normele actuale ale CȘN)

Dacă aparatul e instalat în așa fel încât are contact cu suprafața mobilierului, acestea trebuie să fie rezistente la temperaturi de 60°C. Instalarea, reglarea și darea în exploatare trebuie să fie efectuate de către o persoană calificată, care este autorizată în acest sens și în conformitate cu normele în vigoare.

Despachetați aparatul și verificați dacă nu a fost avariat în timpul transportării. Amplasați aparatul pe o suprafață orizontală (deviere maximă până la 2°). Amplasați aparatul sub hotă ca să fie eliminat mirosul și aburii.

Aparatul poate fi instalat separat sau în serie cu alte produse din gama noastră. Este necesar de a păstra o distanță minimă de 10cm de alte obiecte și de a evita contactul cu obiectele inflamabile. În astfel de cazuri se cere izolarea termică a pieselor inflamabile.

MĂSURI DE SECURITATE DIN PUNCT DE VEDERE AL PROTECȚIEI ÎMPOTRIVA INCENDIILOR CONFORM EN 061008 ȚL. 21:

- Deservirea aparatului trebuie să fie asigurată de către persoane mature
 - Aparatul poate fi utilizat fără pericol în condiții obișnuite conform EN 332000-1
 - Aparatul trebuie amplasat în așa fel încât să fie fixat pe un suport neinflamabil
- Se interzice amplasarea obiectelor inflamabile pe aparat, precum și în apropierea acestuia la distanțe mai mici decât cele recomandate (distanța minimă recomandată este de 10cm)
- Distanțele sigure față de obiectele inflamabile și informațiile despre gradul de combustibilitate a materialelor de construcție sunt indicate în tabel

Tabel:

Gradul de combustibilitate a materialelor de construcție (EN 730823) după substanțe și produse

A neinflamabil	granit, var, beton, cărămidă, gresie ceramică, tencuiala
B greu inflamabile	placă fibrolemnoasă, fibre minerale
C1 dificil inflamabil	Lemn, foioase, hârtie întărită, placaj
C2 mediu inflamabil	plăci aglomerate din aşchii de lemn, plăci din plută, cauciuc, pardoseala din PVC
C3 ușor inflamabil	placi fibrolemnoase, polistiren, poliuretan, PVC

Aparatul trebuie instalat într-un mod sigur. În timpul instalării trebuie respectate prevederile de siguranță, proiectare și igienă în conformitate cu:

- EN 06 1008 securitatea de incendiu a dispozitivelor locale și surselor de căldură
- EN 33 2000 mediul înconjurător pentru aparate electrice (33 2000-4-42; 33 2000-4-482)

CONECTAREA CABLULUI ELECTRIC LA REȚEA

Instalarea alimentării cu electricitate: conexiunea trebuie asigurată de sine stătătoare cu o siguranță corespunzătoare și în funcție de tensiunea aparatului instalat. Tensiunea aparatului poate fi verificată pe plăcuța producătorului din partea din spate a aparatului. Conectați aparatul direct la rețea și plasați un întrerupător între aparat și rețea, respectând distanța minimă de 3mm între contacte, și care să corespundă cu normele în vigoare și cu sarcina de lucru. Firul de împământare (galben-verzui) nu trebuie afectat de acest întrerupător.

În orice caz cablul de alimentare trebuie amplasat în așa fel încât temperatura lui să nu depășească în nici un loc cu 50 de grade pe cea a mediului înconjurător. Înainte de a conecta aparatul la rețea asigurați-vă că:

- Siguranța alimentării și distribuția internă vor rezista la sarcina aparatului (vezi plăcuța)
- Conductoarele sunt împământate corespunzător, conform normelor (ČSN) și prevederilor legale
- Priza sau întrerupătorul alimentării sunt ușor accesibile

Nu ne asumăm nici un fel de răspundere în cazul nerespectării acestor norme și în cazul încălcării principiilor enunțate mai sus.

Înainte de prima utilizare îndepărtați folia protectoare de pe aparat și curățați-l așa cum scrie în capitolul „curățare și întreținere“.

Atenție!

Înainte de a utiliza dispozitivul, acesta trebuie bine spălat cu un material umezit în apă cu soluție de săpun. Apoi uscați bine. Nu lăsați dispozitivul în funcțiune fără supraveghere.

Atenție! În cazul în care arzătorul va fumege după prima punere în funcțiune, este necesar a fi lăsat să funcționeze o oră în gol, până nu dispăre mirosul.

Aprinderea aragazului principal și reglarea temperaturii

Ajustați temperatura dorită în intervalul. Beculețele de control (green) se vor aprinde atunci când aparatul este alimentat cu electricitate. Opriți aparatul prin rotirea conectorului până în poziția „0”.

Pornirea și setarea cuptorului de convecție

În cazul în care butonul de control este rotit spre dreapta, ventilator în cuptorul este pornit. Acest lucru este semnalizat de lumina verde de control.

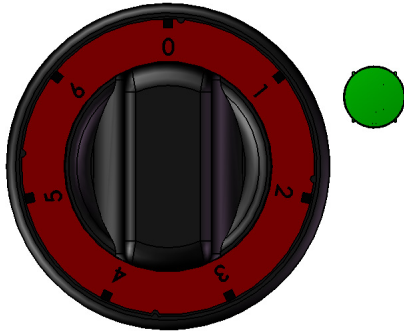
La continuarea rotirii spre dreapta putem seta temperatura dorită pentru cuptorul de convecție. Încălzirea acestuia este semnalizată de lumina de control portocaliu. Atunci când temperatura dorită a fost atinsă, lumina portocalie se stinge. Pentru a opri cuptorul cu convecție, rotiți butonul de control la poziția 0.

Comandă cuptor staționat

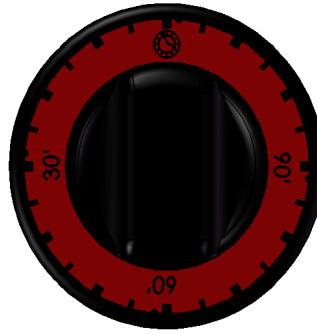
Cu ajutorul comutatorului cuptorului staționat vom alege dacă vom coace cu elementele de încălzire superioare și inferioare (poziția 1), sau numai cu cele inferioare (poziția 3) sau doar cu cele superioare (poziția 2). Aceasta este semnalizat de becurile de control de culoare verde. Cu butonul de reglare al cuptorului staționat vom seta temperatura necesară. Funcționarea elementelor de încălzire este semnalizată de becurile de control de culoare portocalie. După ce acestea se vor stinge, cuptorul va fi încălzit la temperatura cerută. Vom deconecta cuptorul prin rotirea ambelor butoane în poziția „0”.

Controale

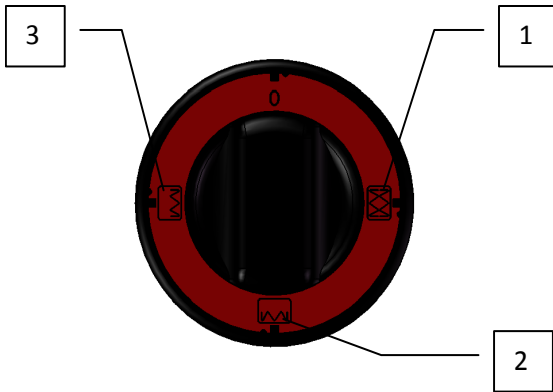
Butonul de control Plita



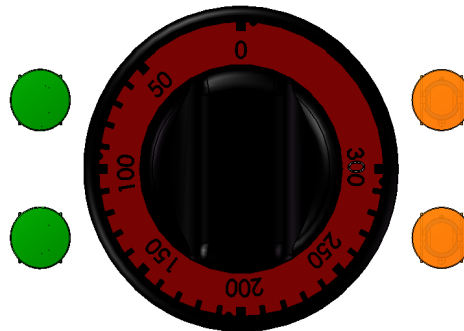
Cronometrul butonul de control



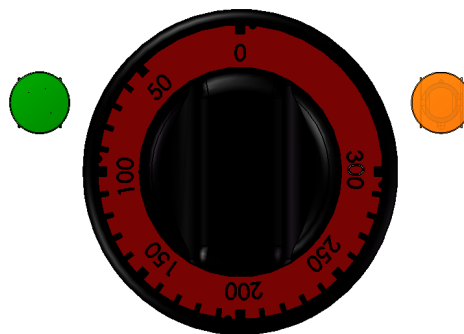
Comuta cuptor stationare



Butonul de control al cuptorului temperaturii stationare



Breaking un buton de control al cuptorului fierbinte



CURĂȚARE ȘI ÎNTREȚINERE

Este recomandat de a inspecta aparatul, cel puțin o dată pe an, de către un servis specializat. Orice intervenții asupra aparatului pot fi operate doar de către o persoană calificată, autorizată în acest sens.

ATENȚIE!!!

Este interzisă curățarea aparatului sub jetul de apă sau apă sub presiune. Curățați aparatul zilnic. Întreținerea zilnică prelungește eficiența și funcționalitatea aparatului. Înainte de a curăța aparatul, asigurați-vă că acesta este deconectat de la rețeaua electrică. Întotdeauna să opriți alimentarea principală a aparatului. Părțile de inox curățați-le cu o cârpă umedă cu soluție de săpun și fără particule tari, iar uscați-le prin ștergere. Nu folosiți soluții de curățat abrazive sau corozive. Înlăturați toate resturile de mâncare de pe suprafața de lucru, posibil și cu ajutorul unui șpaclu.

Suprafața interioară a tigăii curățăm cu șterăptor din plastic sau cu burete și detergenți curenți (a nu se utiliza obiecte metalice). Stratul subțire de culoare mai închisă de pe fundul tigăii nu îndepărtați fără rost, căci formează un strat de protecție a suprafeței. După spălarea, fundul tigăii din nou îngrijiiți cu ulei de masă. După curățarea cuvei, repuneți toate în poziția inițială. Capacul lăsați deschis, încât aerul să poată circula în vasul

-Dacă aparatul nu va fi folosit pentru o perioadă lungă de timp:

-Neapărat închideți admisiunea apei și a gazelor

-Dacă aparatul nu va fi folosit pentru o perioadă lungă de timp, curățați cuva și conservați baza cu ulei

Procedeu în caz de disfuncție a aparatului

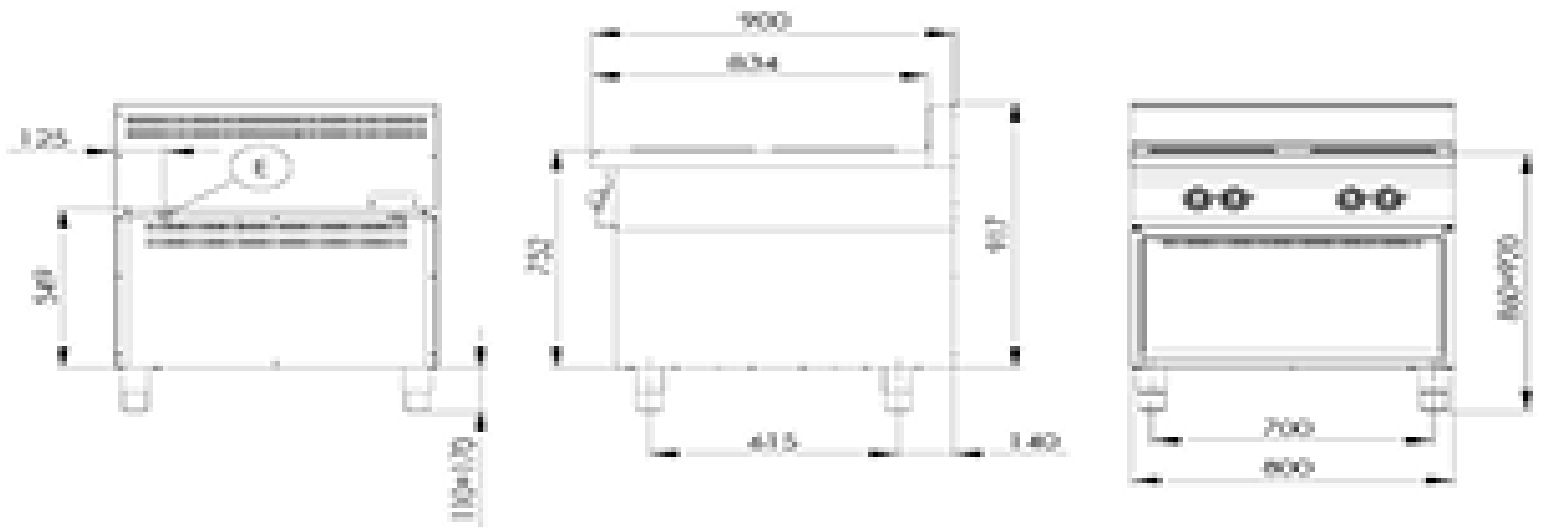
Opriți alimentarea cu electricitate și apelați servisul vânzătorului.

ATENȚIONARE

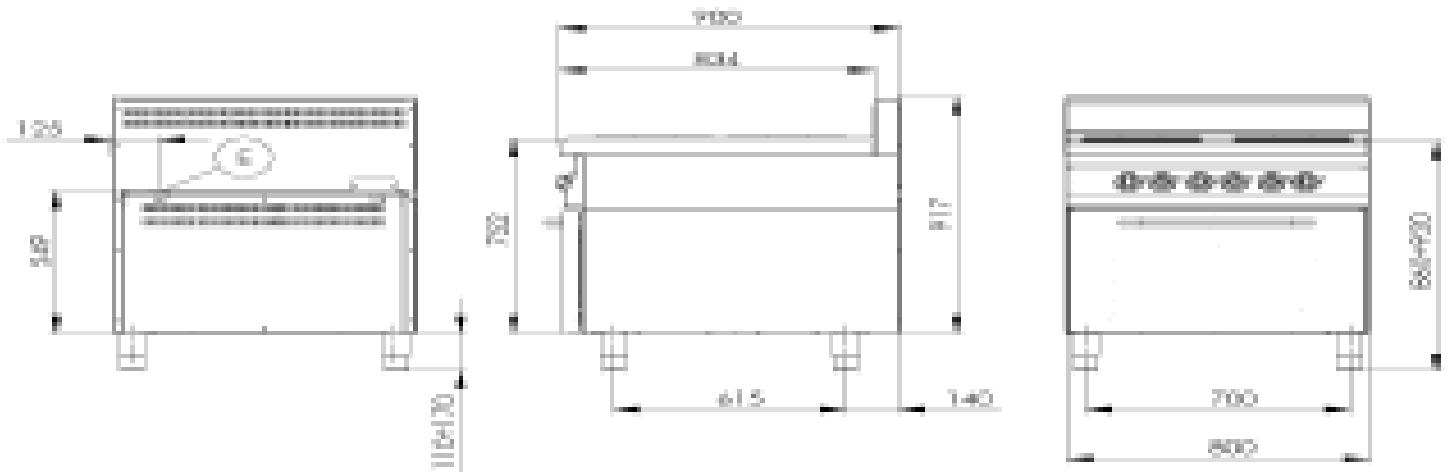
Garanția nu acoperă piesele consumabile care se uzează prin utilizare (garniturile din cauciuc, becurile, părțile din plastic și sticle, etc.). De asemeni garanția nu se aplică aparatelor a căror instalare a fost efectuată contrar normelor (de către o persoană autorizată conform normelor în vigoare) și nici în cazul manipulării defectuoase (intervenții în interiorul aparatului etc.) sau dacă a fost deservit de către personal neinstruit și contrar ghidului de utilizare. Garanția nu se aplica defectelor datorate efectelor naturii sau forței majore.

DIMENSIONALĂ SCHIȚĂ

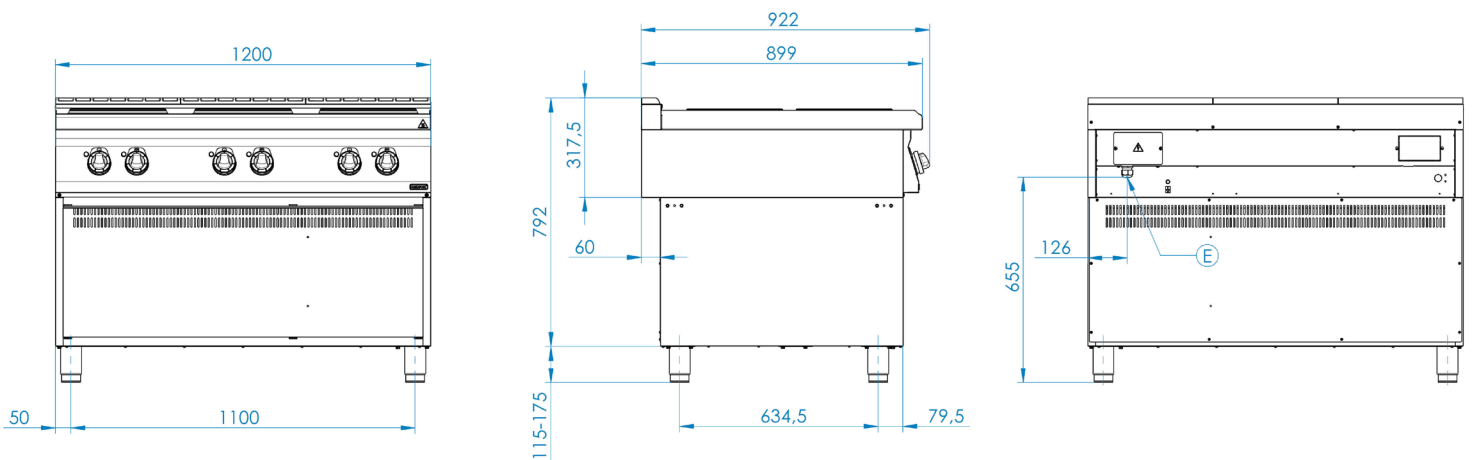
SP(Q,L) 90/80 E



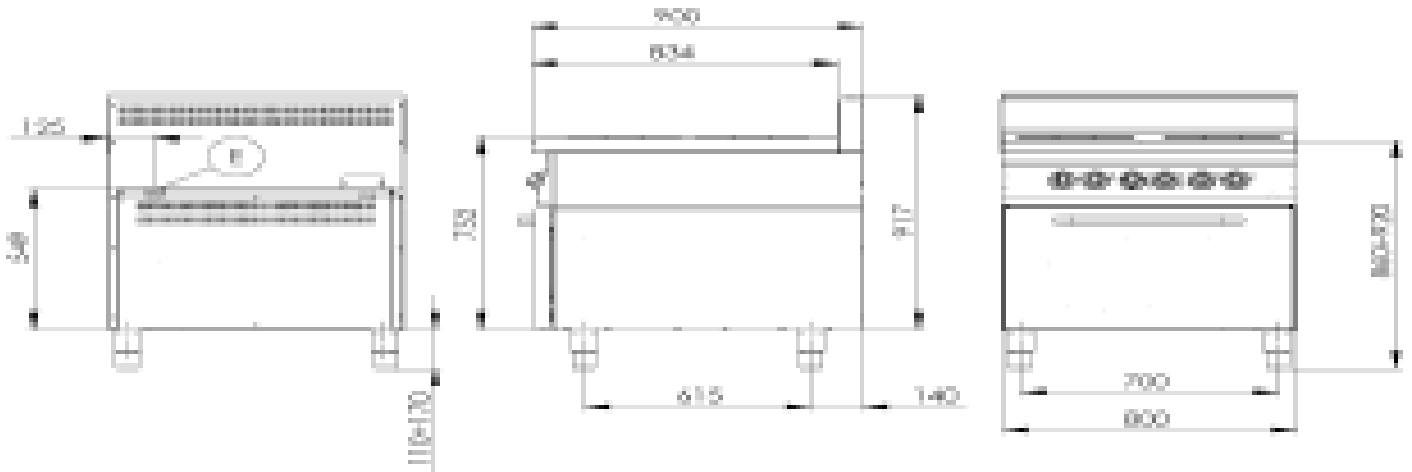
SP(Q,L)T 90/80 - 11 E



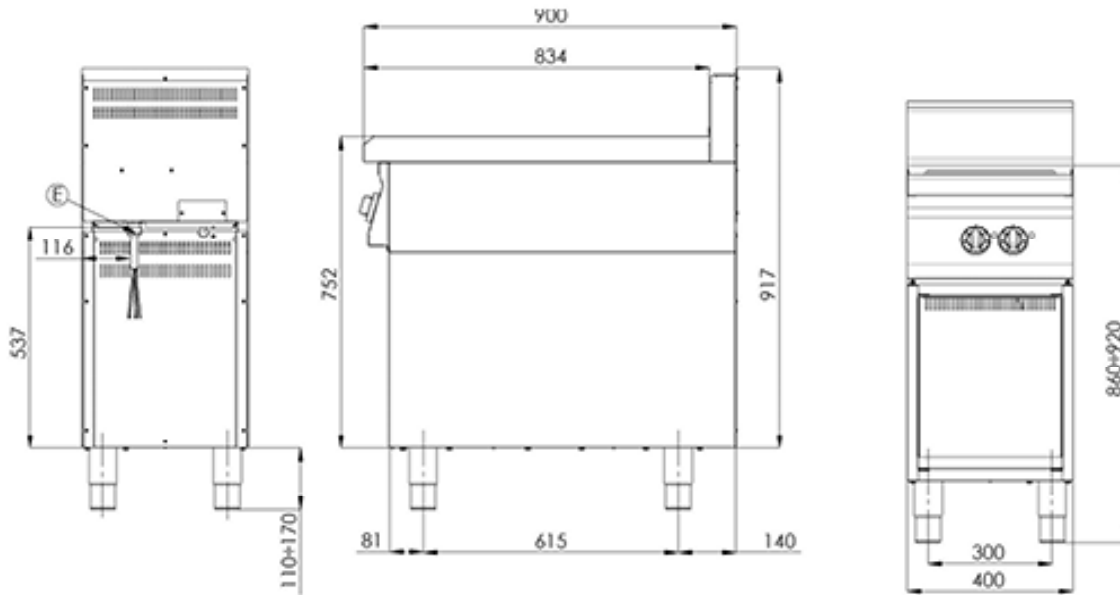
SP 90/120 E



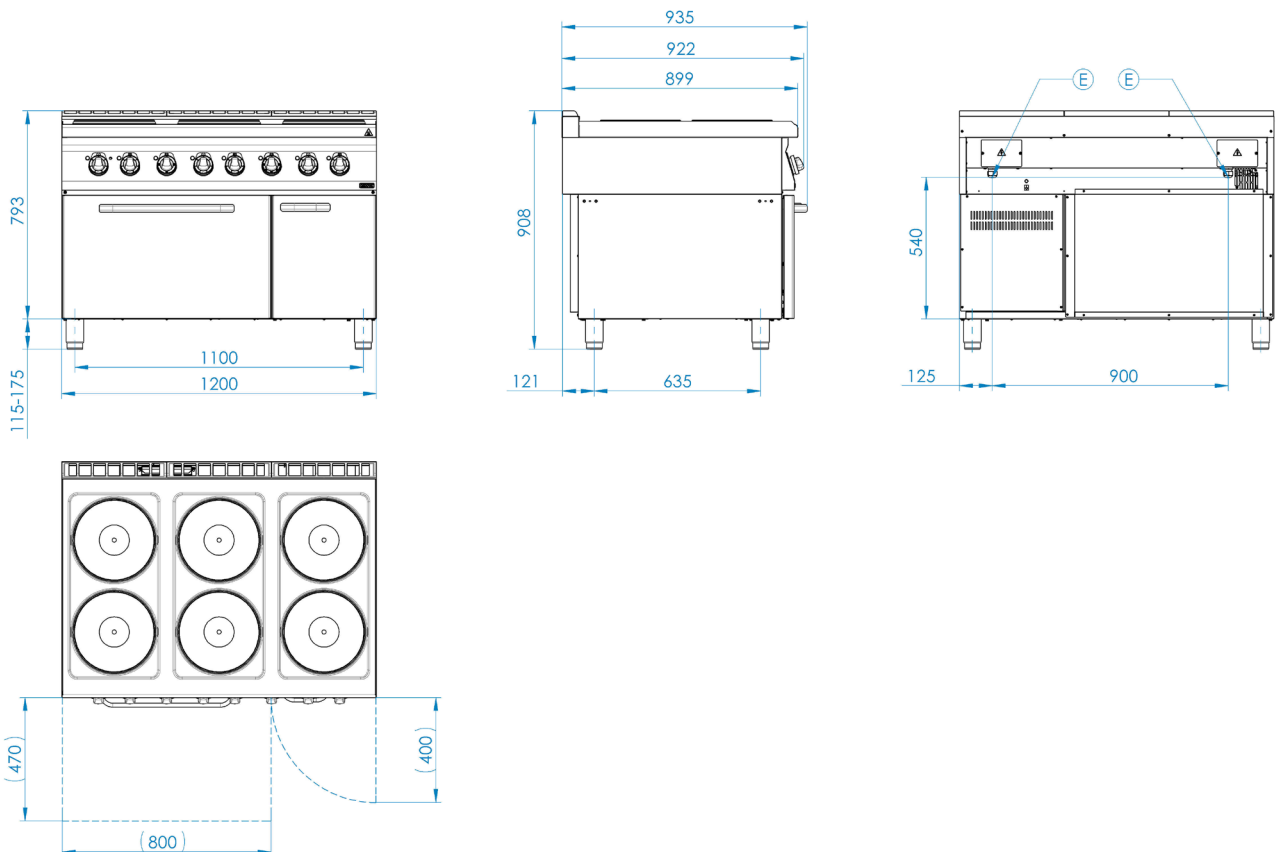
SP(Q,L)T 90/80 - 21 E



SP(Q,L) 90/40 E

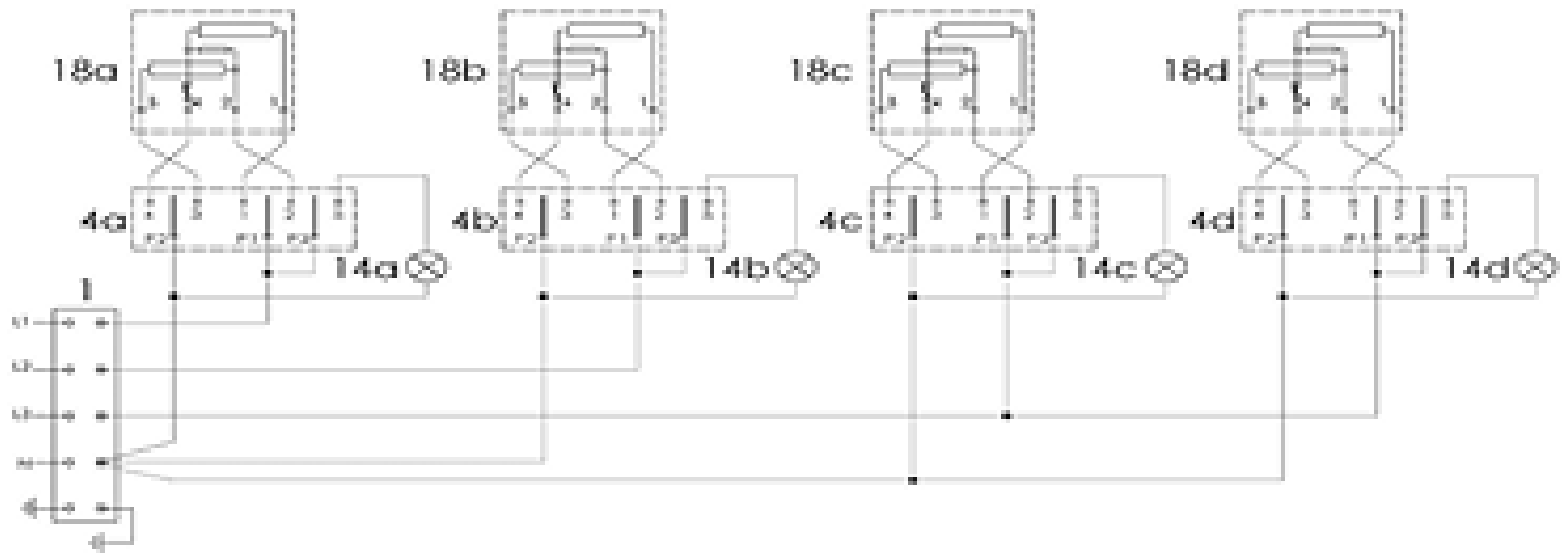


SPT 90/120 21 E

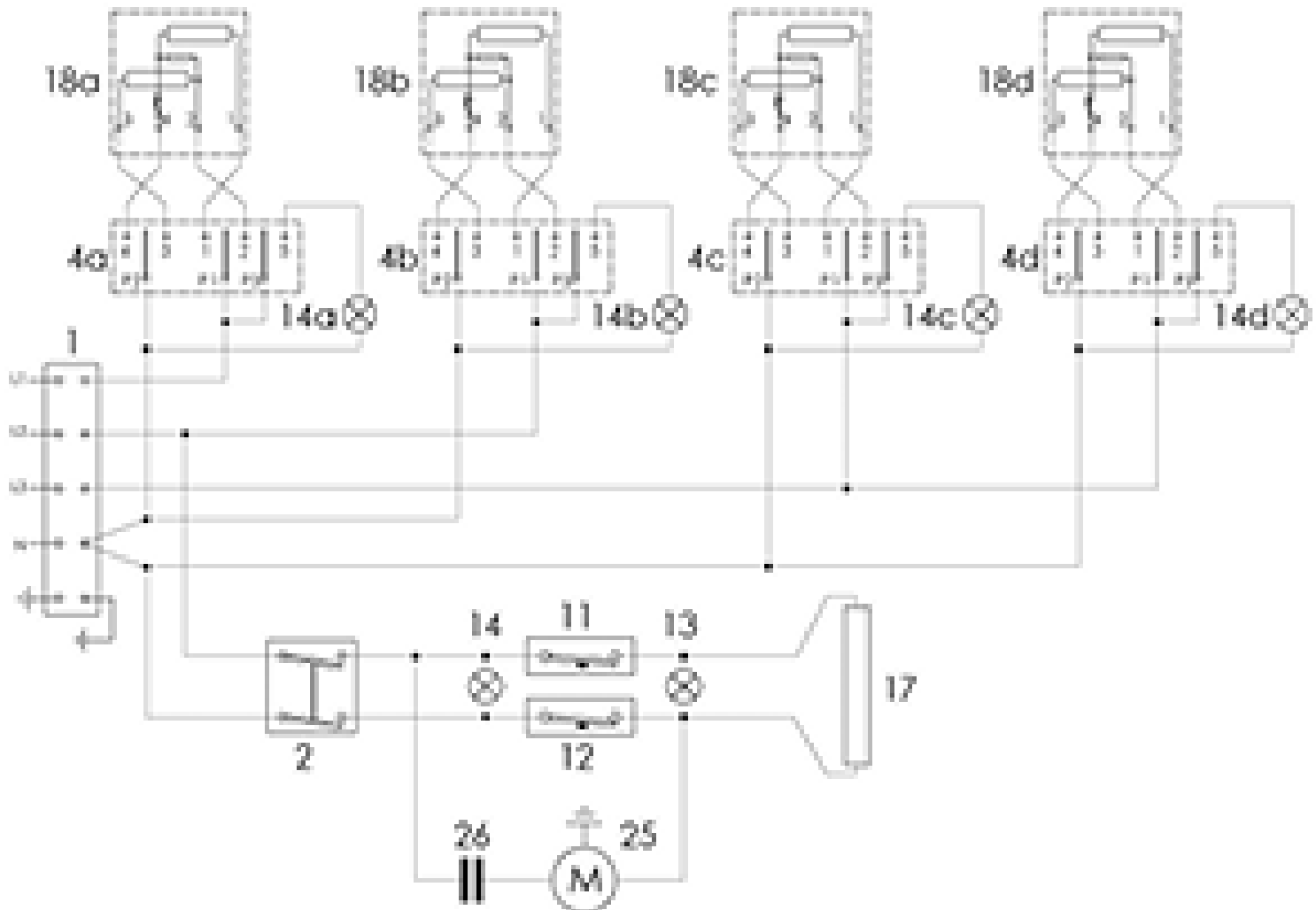


SCHEMA CONECTĂRII

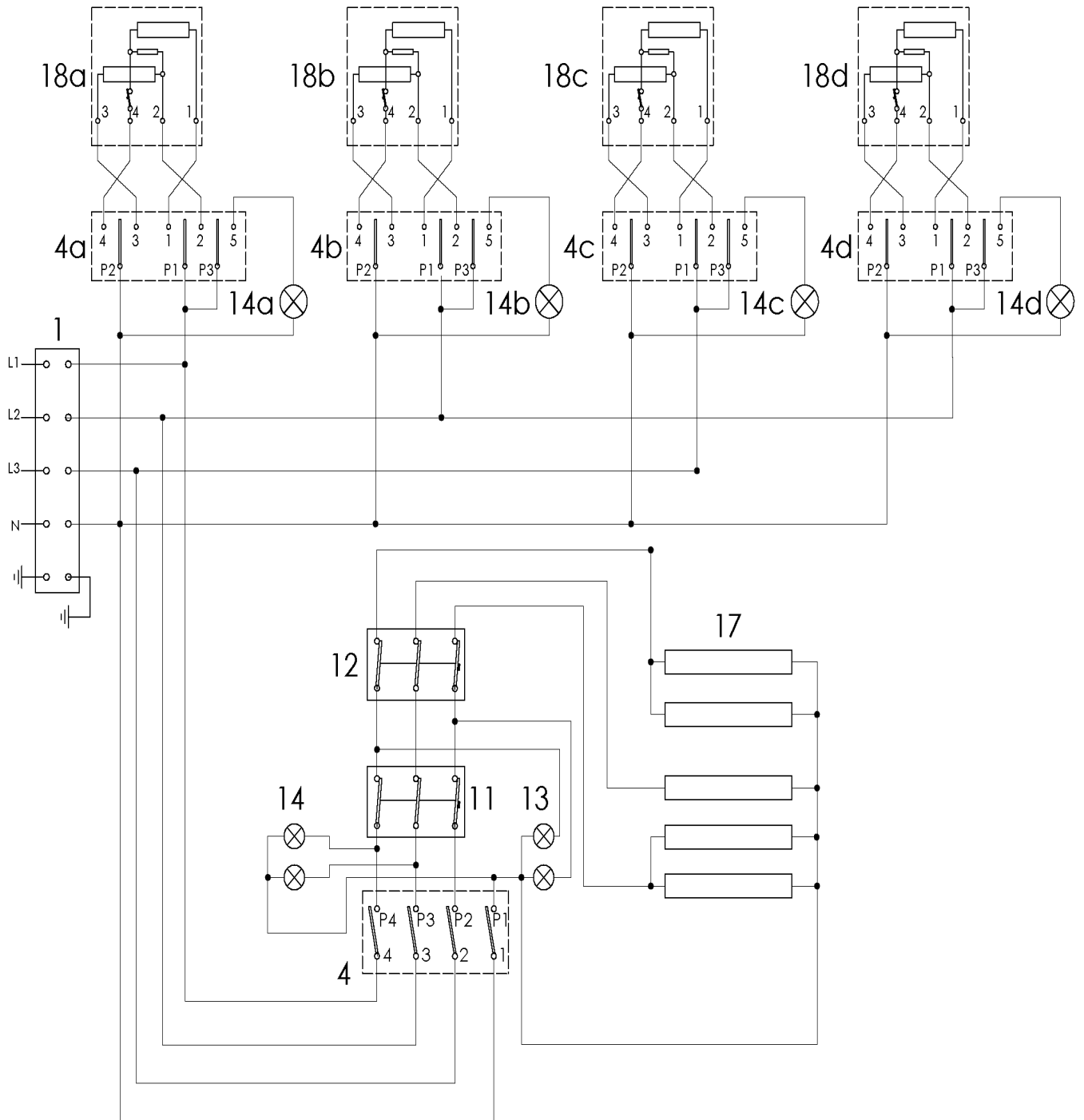
SP(Q,L) 90/80 E

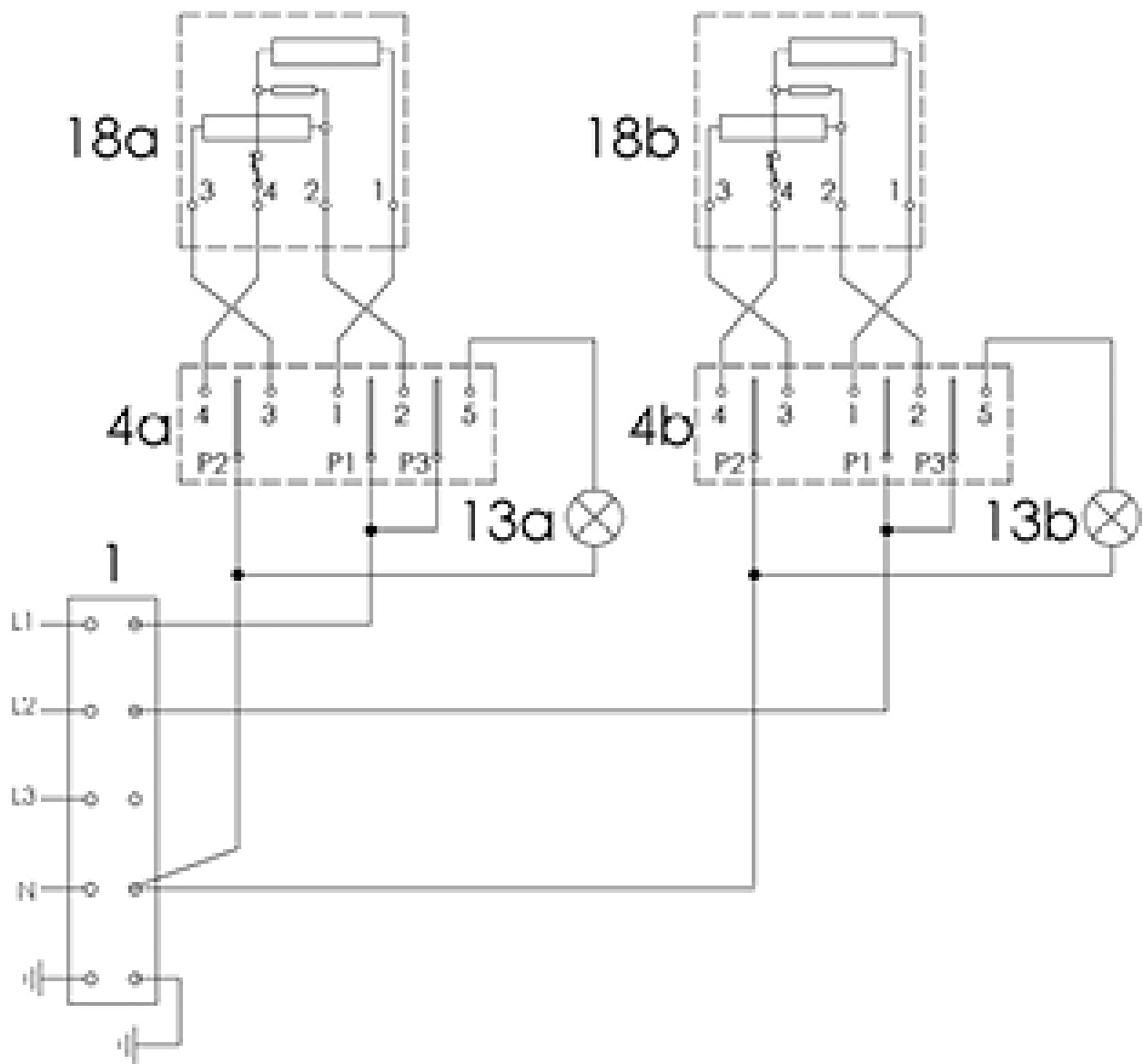


SP(Q,L)T 90/80 - 11 E



SP(Q,L)T 90/80 21 E

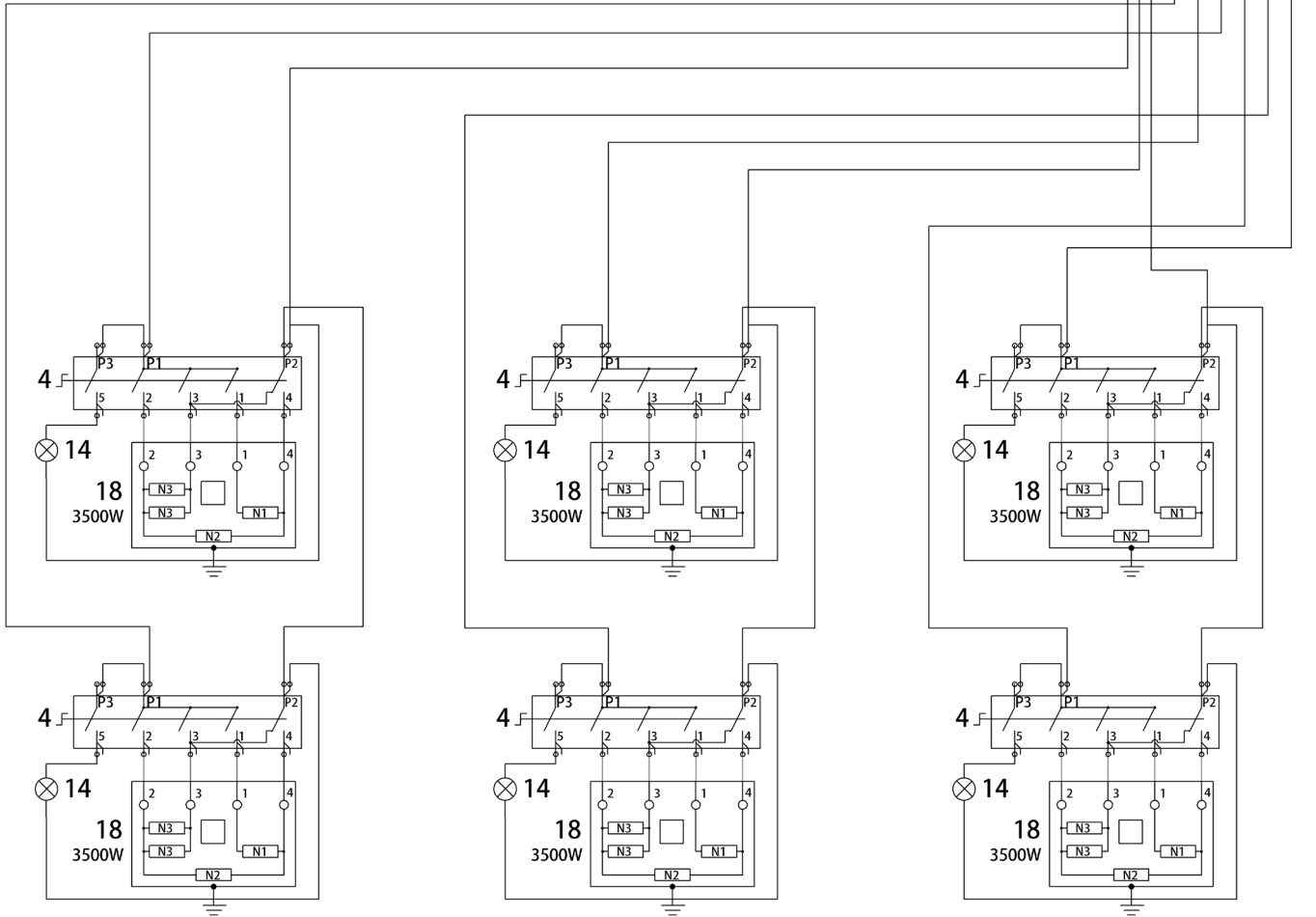
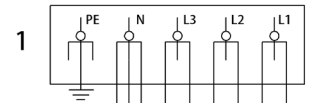




SP 90/120 E

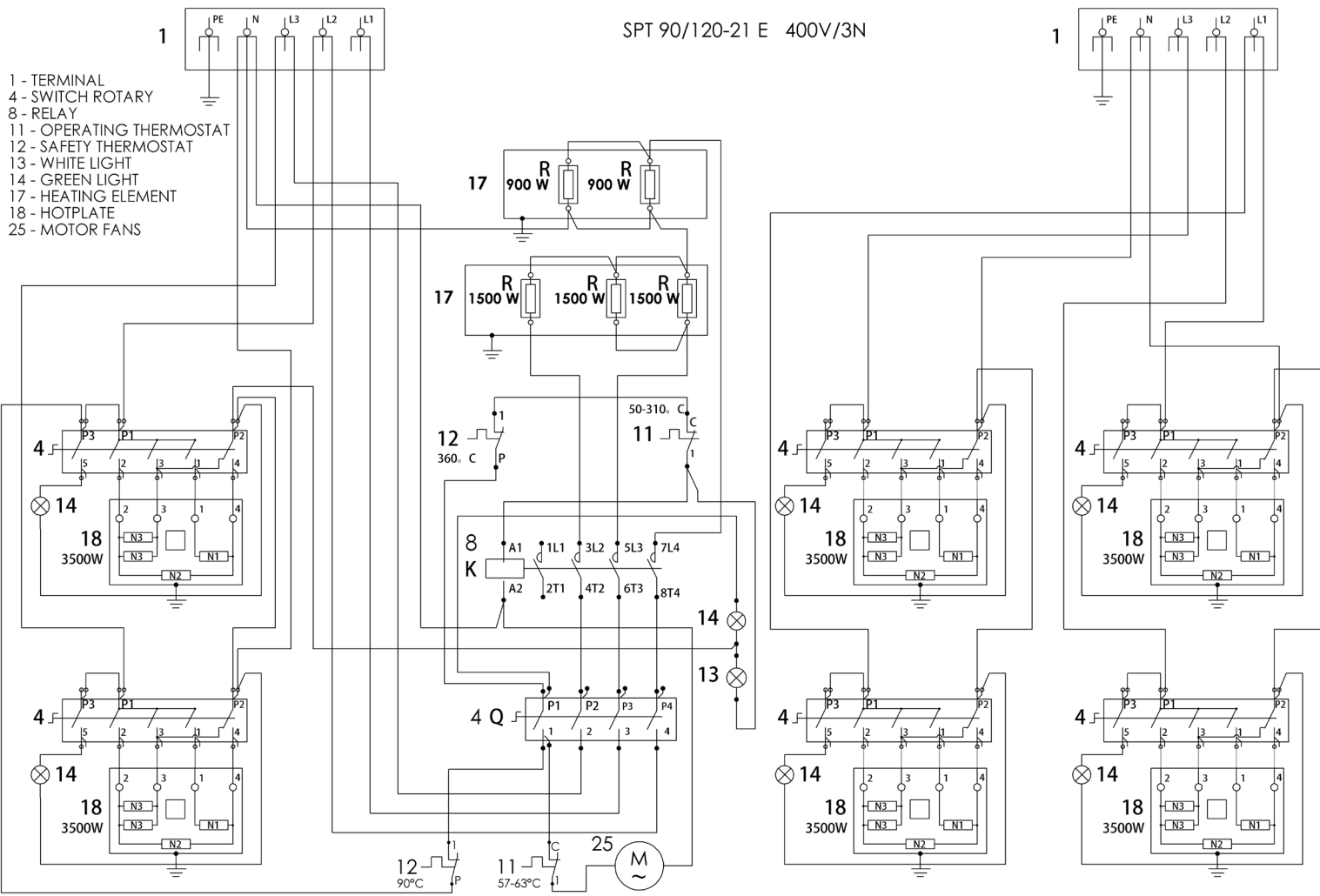
SP 90/120 E 400V/3N

- 1 - TERMINAL
- 4 - SWITCH ROTARY
- 14 - GREEN LIGHT
- 18 - HOTPLATE



SPT 90/120 21 E

SPT 90/120-21 E 400V/3N



ДЕКЛАРАЦИЯ О СООТВЕТСТВИИ СТАНДАРТАМ

Изготовитель заявляет, что приборы удовлетворяют требованиям директивы европейского парламента и совета № 2009/142/ЕС (Постановления чешского правительства № 22/2003), законов № 22/1997 и № 258/2000 «Об охране общественного здоровья», подзаконного акта № 38/2001 и соответствующих постановлений правительства. Установка прибора должна осуществляться в соответствии с действующими нормами.

Внимание, изготовитель не несет никакой ответственности в случае прямых или косвенных повреждений, возникших по причине неправильной установки, изменения прибора или неправильного вмешательства в него, недостаточного техобслуживания, неправильного обращения с прибором или же повреждений, возникших по другим причинам, указанным в документе «Условия продажи». Настоящий прибор предназначен исключительно для профессионального применения. Обслуживать прибор разрешается только квалифицированным лицам. Части прибора, которые были отрегулированы изготовителем и зафиксированы им или его уполномоченным работником, пользователю регулировать запрещается.

Технические данные:

Табличка с техническими данными находится на видном месте на задней стенке прибора. Перед установкой изучите электрическую схему подключения, прилагаемую к руководству.

ТИП ИЗДЕЛИЯ	ДУХОВКА (KW)	ПЛИТА (KW)	МОЩНОСТЬ (KW)	НАПРЯЖЕНИЕ (V / HZ)	РАЗМЕРЫ (CM)
SPT 90/80 11 E	3,1 / GN 1/1	4 x 3,5	17,1	400/3N/50	80x90x90 v
SPT 90/80 21 E	6,3 / GN 2/1	4 x 3,5	21,3	400/3N/50	80x90x90 v
SPT 90/120 21 E	6,3 / GN 2/1	6 x 3,5	27,3	400/3N/50	120x90x90 v
SP 90/80 E	-	4 x 3,5	14,0	400/3N/50	80x90x90 v
SP 90/40 E	-	2 x 3,5	7,0	400/3N/50	40x90x90 v
SP 90/120 E	-	6 x 3,5	21	400/3N/50	120x90x90 v
SPLT 90/80 11 E	3,1 / GN 1/1	4 x 2,5	13,1	400/3N/50	80x90x90 v
SPLT 90/80 21 E	6,3 / GN 2/1	4 x 2,5	16,3	400/3N/50	80x90x90 v
SPL 90/80 E	-	4 x 2,5	10,0	400/3N/50	80x90x90 v
SPL 90/40 E	-	2 x 2,5	5,0	400/3N/50	40x90x90 v
SPQT 90/80 11 E	3,1 / GN 1/1	4 x 3,5	17,1	400/3N/50	80x90x90 v
SPQT 90/80 21 E	6,3 / GN 2/1	4 x 3,5	21,3	400/3N/50	80x90x90 v
SPQ 90/80 E	-	4 x 3,5	14,0	400/3N/50	80x90x90 v
SPQ 90/40 E	-	2 x 3,5	7,0	400/3N/50	40x90x90 v

ПРОВЕРКА УПАКОВКИ И ПРИБОРА

Завод-изготовитель отгружает прибор надлежащим образом упакованным. На упаковке указаны соответствующие символы и обозначения. В упаковке находится соответствующее руководство по эксплуатации. Если на упаковке видны следы неправильного обращения, признаки повреждения или насильного вскрытия во время перевозки, Вы должны немедленно предъявить претензию грузоперевозчику, составив с ним акт о повреждении. Позднее претензии не принимаются.

Общие указания

-Изделие предназначено для использования только в помещениях.

Никогда не пользуйтесь электроприбором с поврежденным вводом питания или штепсельной вилкой, а также если устройство неправильно работает, если он повредился при падении или упал в воду. В таких случаях сдайте устройство в специализированный сервис для проверки его безопасности и правильности функционирования.

Данное руководство следует внимательно прочитать и изучить, поскольку в нем приводятся важные

предупреждения, касающиеся безопасности установки прибора и его эксплуатации.

- Данное руководство предназначено только для настоящего изделия или продуктовой линейки.

- Данное руководство следует сохранять для использования в будущем.

- Детям запрещается манипулировать с прибором.

- Прибор разрешается обслуживать только обученному персоналу.

- Мармит разрешается использовать только для поддержания необходимой температуры раздаваемой пищи.

- Прибор ни в коем случае нельзя включать без надзора.

- Рекомендуется 2 раза в год проводить специализированный сервисный осмотр.

- В случае ремонта или замены части (детали) необходимо использовать оригинальные запчасти от изготовителя прибора.

- Прибор ни в коем случае нельзя мыть струей воды или напорным аппаратом.

- В случае неисправности или неправильной работы прибора следует немедленно отсоединить все подводы (вода, электричество, газ) и пригласить авторизованный сервис.

- Прибор разрешается использовать только по его назначению. Использование прибора в других целях может привести к возникновению опасности или нанесению травмы.

- Должно быть обеспечено безоговорочное строгое соблюдение правил пожарной безопасности.

Изготовитель не несет никакой ответственности в случае возникновения неисправностей, вызванных неправильной установкой, несоблюдением вышеуказанных указаний,

РАЗМЕЩЕНИЕ

Для правильной работы и размещения прибора необходимо соблюдать директивы TPG G 704 01, EN 127040, EN 127010.

Снимите упаковку и проверьте наличие повреждений, возникших во время перевозки. Поместите прибор на горизонтальную поверхность (макс. неровность не более 2°). Небольшую неровность можно компенсировать с помощью регулируемых ножек.

Если месторасположение прибора предполагает его контакт со стенками мебели, то данная мебель должна быть устойчивой к температуре до 60°C. Установку и пуско-наладочные работы должно выполнять квалифицированное лицо, имеющее на такие работы соответствующее разрешение (согласно действующим нормам).

Мармит можно установить как отдельный прибор или в серии с другими приборами нашего производства. Необходимо соблюдать минимальное расстояние 10 см от горючих материалов. В таком случае следует провести соответствующие изменения, чтобы была обеспечена тепловая изоляция горючих частей.

Прибор разрешается устанавливать только на негорючей поверхности или возле негорючей стены.

МЕРЫ БЕЗОПАСНОСТИ С ТОЧКИ ЗРЕНИЯ ПОЖАРНОЙ ОХРАНЫ СОГЛАСНО EN 061008, СТ.12

- обслуживать прибор разрешается только взрослым
- прибор разрешается использовать только в нормальной среде по:
EN 33 2000-4-482
EN 33 2000-4-42

- прибор должен быть установлен так, чтоб он прочно стоял или висел на негорючем основании
- на прибор и на расстоянии, меньшем безопасной удаленности от него, запрещается размещать предметы из горючих материалов (минимальное расстояние между прибором и горючим материалом составляет 10 см).
- информация о степени воспламеняемости некоторых строительных материалов приводится на следующей странице

Таблица степени воспламеняемости строительного материала, включенного с ст. воспламеняемости (730823) материалов и изделий


А - негорючие	гранит, песчаник, бетоны, кирпич, керамическая плитка, штукатурка
В - умеренно воспламеняемые	акумин, гераклит, лигнос, итавер
С1 - трудно горючие	древесина лиственных пород, клееная фанера, сиркоклит, гетинакс, умакарт
С2 - умеренно горючие	ДСП, солодур, пробковые доски, резина, покрытия для полов
С3 - легко горючие	ДВП, полистерен, полиуретан, ПВХ

Прибор должен быть установлен безопасным способом. При установке следует соблюдать

соответствующие предписания по проектированию, безопасности и гигиене согласно:

- EN 06 1008 пожарная безопасность локальных приборов и источников тепла
- EN 33 2000 среда для электрического оборудования

ВАЖНО:

 ИЗГОТОВИТЕЛЬ НЕ ДАЕТ НИКАКИХ ГАРАНТИЙ НА НЕИСПРАВНОСТИ, ВОЗНИКШИЕ В РЕЗУЛЬТАТЕ НЕПРАВИЛЬНОЙ ЭКСПЛУАТАЦИИ, НЕСОБЛЮДЕНИЯ ИНСТРУКЦИЙ В ПРИЛАГАЕМОМ РУКОВОДСТВЕ ПО ЭКСПЛУАТАЦИИ И НЕПРАВИЛЬНОГО ОБРАЩЕНИЯ С ПРИБОРАМИ.

УСТАНОВКУ, НАЛАДКУ И РЕМОНТ ПРИБОРОВ ДЛЯ ПРЕДПРИЯТИЙ ОБЩЕПИТА, ТАК ЖЕ КАК И ДЕМОНТАЖ ДАННЫХ ПРИБОРОВ (ИЗ-ЗА ОПАСНОСТИ ПОВРЕЖДЕНИЯ ПОДВОДА ГАЗА) РАЗРЕШАЕТСЯ ВЫПОЛНЯТЬ ТОЛЬКО НА ОСНОВАНИИ ДОГОВОРА О ТЕХОБСЛУЖИВАНИИ (ДАННЫЙ ДОГОВОР МОЖНО ЗАКЛЮЧИТЬ С АВТОРИЗОВАННЫМ ПРОДАВЦОМ), ПРИЧЕМ ДОЛЖНЫ СОБЛЮДАТЬСЯ ТЕХНИЧЕСКИЕ ПРЕДПИСАНИЯ И СТАНДАРТЫ, КАСАЮЩИЕСЯ УСТАНОВКИ, ЭЛЕКТРИЧЕСКОГО ПОДСОЕДИНЕНИЯ, ПОДКЛЮЧЕНИЯ ГАЗА И БЕЗОПАСНОСТИ ТРУДА.

ТЕХНИЧЕСКИЕ ИНСТРУКЦИИ ПО УСТАНОВКЕ И НАЛАДКЕ ПРЕДНАЗНАЧАЮТСЯ ТОЛЬКО СПЕЦИАЛИЗИРОВАННЫМ ТЕХНИКАМ.

НИЖЕ ПРИВЕДЕННЫЕ ИНСТРУКЦИИ АДРЕСОВАНЫ ТЕХНИКАМ, ИМЕЮЩИМ КВАЛИФИКАЦИЮ ДЛЯ УСТАНОВКИ ПРИБОРА, ЧТОБЫ ОНИ МОГЛИ ВЫПОЛНИТЬ ВСЕ ОПЕРАЦИИ КАК МОЖНО БОЛЕЕ КОРРЕКТНО И В СООТВЕТСТВИИ С ДЕЙСТВУЮЩИМИ НОРМАМИ.

ЛЮБЫЕ РАБОТЫ, СВЯЗАННЫЕ С НАЛАДКОЙ И Т.П., РАЗРЕШАЕТСЯ ВЫПОЛНЯТЬ ТОЛЬКО КОГДА ПРИБОР ОТКЛЮЧЕН ОТ СЕТИ. ЕСЛИ ПРИ ВЫПОЛНЕНИИ РАБОТ НЕОБХОДИМО, ЧТОБЫ ПРИБОР НАХОДИЛСЯ ПОД НАПРЯЖЕНИЕМ, ТО СЛЕДУЕТ БЫТЬ ПРЕДЕЛЬНО ОСТОРОЖНЫМИ.

РУКОВОДСТВО ПО ЭКСПЛУАТАЦИИ

- Первое включение оборудования необходимо производить в хорошо проветриваемом помещении по причине «выжигания» конфорок, которое длится около 30 мин. По истечении как минимум 30 мин. оборудование готово к работе.

Никогда не оставляйте работающее устройство без надзора! Поверните управляющее устройство (А) и настройте на требуемую вами мощность. Контрольная лампочка (В) светится. Контрольная лампочка (В) светится, если устройство подключено к эл. сети. Устройство выключится, если вы повернете элемент управления (А) в положение «0».

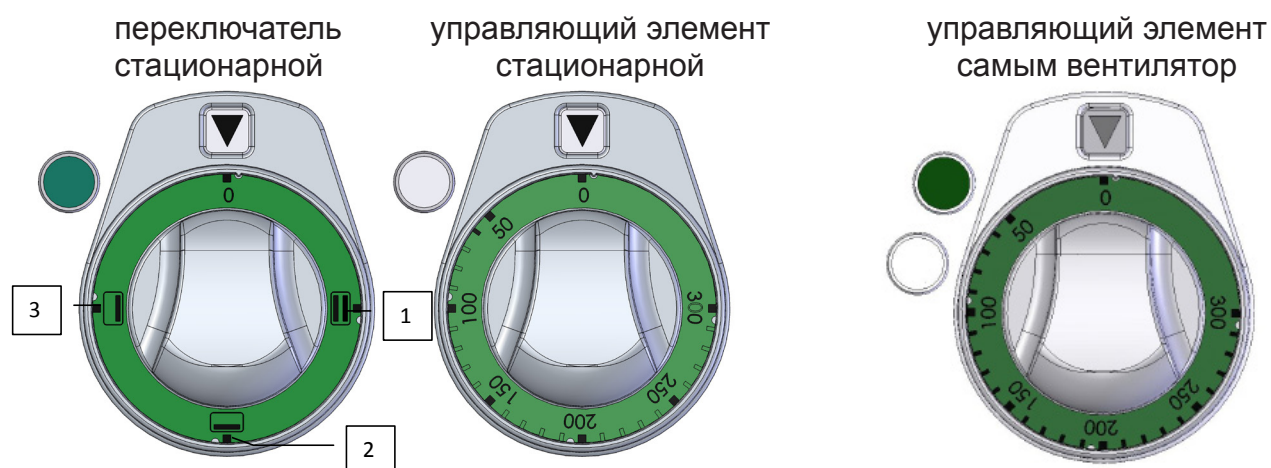


конвекционные духовка

Поверните управляющий элемент А вправо, включив тем самым вентилятор духовки. Это сигнализирует зеленая контрольная лампочка D. Снова при помощи управляющего элемента А задайте требуемую пространства духовки. Оранжевая контрольная лампочка С сигнализирует работу нагревательного элемента, а ее выключение означает нагревание духовки до заданной температуры. Управляющий элемент Е – пассивный таймер, который по истечении заданного времени только звонит, но не выключает работу духовки.

стационарной духовки

При помощи переключателя стационарной духовки выберите, при помощи каких нагревательных элементов вы будете печь – верхних и нижних (положение 1) или только нижних (положение 3), или только верхних (положение 2). Это сигнализируется зелеными контрольными лампочками. Регулировочной кнопкой стационарной духовки задайте требуемую температуру. Работа нагревательных элементов сигнализируется оранжевыми контрольными лампочками. Их выключение сигнализирует нагрев духовки до определенной температуры. Выключите духовку поворотом обеих кнопок в положение «0».



ТЕХОБСЛУЖИВАНИЕ И ГАРАНТИЙНЫЕ УСЛОВИЯ



ПРИ ДЛИТЕЛЬНОЙ ЭКСПЛУАТАЦИИ ПРИБОРА ДЛЯ ОБЕСПЕЧЕНИЯ ЕГО БЕЗОПАСНОЙ РАБОТЫ ТРЕБУЕТСЯ РЕГУЛЯРНОЕ ТЕХОБСЛУЖИВАНИЕ, ПОЭТОМУ РЕКОМЕНДУЕМ ЗАКЛЮЧИТЬ ДОГОВОР НА СЕРВИСНОЕ ОБСЛУЖИВАНИЕ. ТЕХОБСЛУЖИВАНИЕ РАЗРЕШАЕТСЯ ПРОВОДИТЬ ТОЛЬКО УПОЛНОМОЧЕННЫМ СЕРВИСНЫМ ТЕХНИКАМ, СОБЛЮДАЮЩИМ ДЕЙСТВУЮЩИЕ СТАНДАРТЫ И ПРЕДПИСАНИЯ, А ТАКЖЕ ИНСТРУКЦИИ, ПРИВЕДЕННЫЕ В РУКОВОДСТВЕ. ОПТИМАЛЬНАЯ ПЕРИОДИЧНОСТЬ ПРОФОСМОТРОВ СОСТАВЛЯЕТ 1 РАЗ В 6 МЕСЯЦЕВ, ПРИ ОЧЕНЬ ВЫСОКИХ НАГРУЗКАХ КОНТРОЛЬ РЕКОМЕНДУЕТСЯ ПРОВОДИТЬ 1 РАЗ В 3 МЕСЯЦА. БЛАГОДАРЯ ПРОФОСМОТРАМ МОЖНО ИЗБЕЖАТЬ СЕРЬЕЗНЫХ ПОЛОМОК ПРИБОРА, СНИЗИВ ТЕМ САМЫМ ЗАТРАТЫ НА ЕГО ЭКСПЛУАТАЦИЮ.

ПРЕДУПРЕЖДЕНИЕ:

ГАРАНТИЯ НЕ РАСПРОСТРАНЯЕТСЯ НА ВСЕ БЫСТРО ИЗНАШИВАЕМЫЕ ДЕТАЛИ (РЕЗИНОВЫЕ УПЛОТНЕНИЯ, ЛАМПОЧКИ, СТЕКЛЯННЫЕ И ПЛАСТИКОВЫЕ ЧАСТИ И Т.Д.) ГАРАНТИЯ ТАКЖЕ НЕ ПРЕДОСТАВЛЯЕТСЯ, ЕСЛИ УСТАНОВКА ПРИБОРА НЕ СООТВЕТСТВУЕТ УКАЗАНИЯМ, ПРИВЕДЕННЫМ В ДАННОМ РУКОВОДСТВЕ (Т.Е. УСТАНОВКУ ДОЛЖЕН ПРОВОДИТЬ РАБОТНИК, ИМЕЮЩИЙ КВАЛИФИКАЦИЮ СОГЛАСНО СООТВЕТСТВУЮЩИМ НОРМАМ), ЕСЛИ С ПРИБОРОМ ОБРАЩАЛИСЬ НЕПРОФЕССИОНАЛЬНО (ВМЕШАТЕЛЬСТВО ВО ВНУТРЕННЕЕ ОСНАЩЕНИЕ) ИЛИ ЕСЛИ ПРИБОР ОБСЛУЖИВАЛСЯ НЕОБУЧЕННЫМ ПЕРСОНАЛОМ, НЕ СОБЛЮДАЯ ПРИ ЭТОМ РУКОВОДСТВО ПО ЭКСПЛУАТАЦИИ, ГАРАНТИЯ ТАКЖЕ НЕ ПРЕДОСТАВЛЯЕТСЯ НА ПОВРЕЖДЕНИЯ, ВОЗНИКШИЕ В РЕЗУЛЬТАТЕ ПРИРОДНЫХ ЯВЛЕНИЙ ИЛИ ДРУГИХ ВЛИЯНИЙ ИЗ ВНЕ.

МЕРЫ В СЛУЧАЕ НЕИСПРАВНОСТИ:

НЕМЕДЛЕННО ОТКЛЮЧИТЬ ПОДВОД ТОКА И НЕЗАМЕДЛИТЕЛЬНО ПРИГЛАСИТЬ СЕРВИСНУЮ ОРГАНИЗАЦИЮ, НИ В КОЕМ СЛУЧАЕ НЕ ПЫТАТЬСЯ КАКИМ-ЛИБО ОБРАЗОМ МАНИПУЛИРОВАТЬ С ПРИБОРОМ.

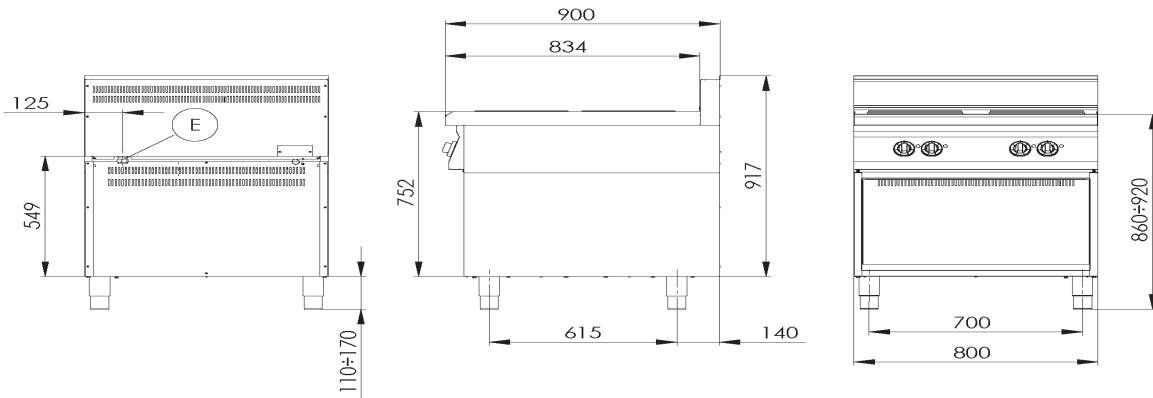
ИЗГОТОВИТЕЛЬ НЕ НЕСЕТ НИКАКОЙ ОТВЕТСТВЕННОСТИ ЗА ТРАВМЫ И УЩЕРБ, НАНЕСЕННЫЙ ИМУЩЕСТВУ, ВОЗНИКШИЕ ПО ПРИЧИНЕ НЕСОБЛЮДЕНИЯ ПРАВИЛ ТЕХНИКИ БЕЗОПАСНОСТИ ИЛИ ИСПОЛЬЗОВАНИЯ ПРИБОРА НЕ ПО НАЗНАЧЕНИЮ.

УКАЗАНИЯ ПО УТИЛИЗАЦИИ:

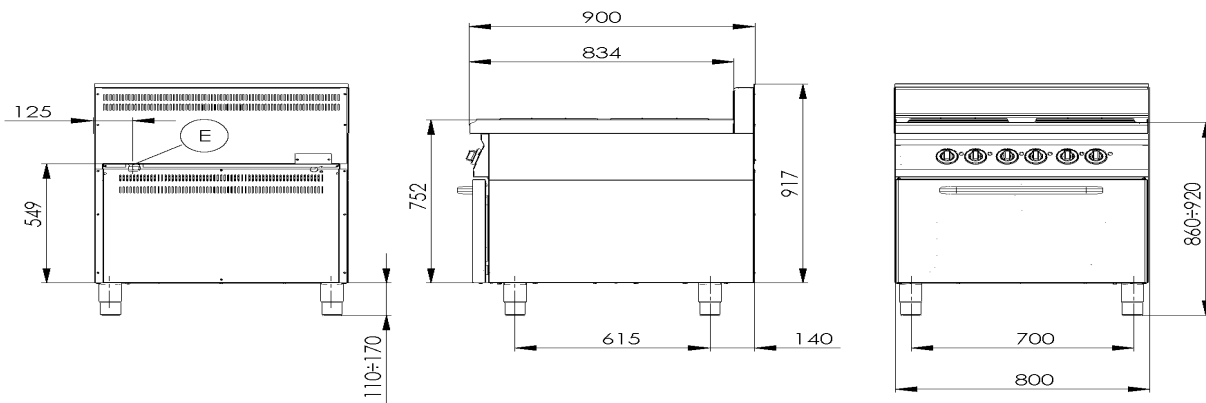
УПАКОВОЧНЫЕ МАТЕРИАЛЫ СЛЕДУЕТ УТИЛИЗИРОВАТЬ В СООТВЕТСТВИИ С ДЕЙСТВУЮЩИМ ЗАКОНОДАТЕЛЬСТВОМ. ОТСЛУЖИВШИЙ ПРИБОР ДОЛЖЕН БЫТЬ ТАКЖЕ ПРАВИЛЬНО УТИЛИЗИРОВАН. ДЛЯ ПОЛУЧЕНИЯ БОЛЕЕ ПОДРОБНОЙ ИНФОРМАЦИИ ПО ДАННОМУ ВОПРОСУ СВЯЖИТЕСЬ С ПРОДАВЦОМ ОБОРУДОВАНИЯ ИЛИ АВТОРИЗОВАННЫМ СЕРВИСОМ.

SP(Q,L) 90/80 E

РАЗМЕРЫ



SP(Q,L)T 90/80 - 11 E



SP(Q,L)T 90/80 - 21 E

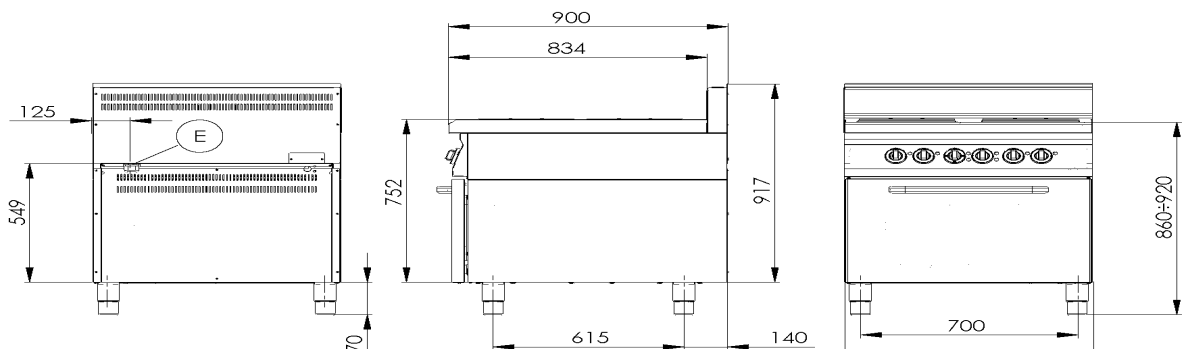
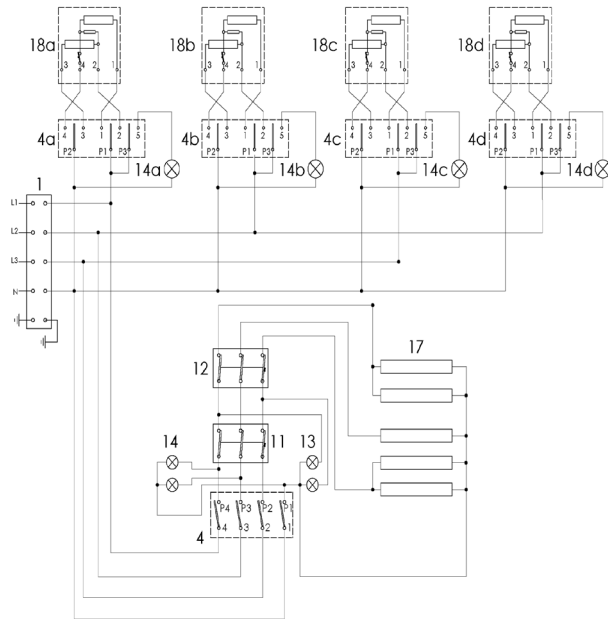
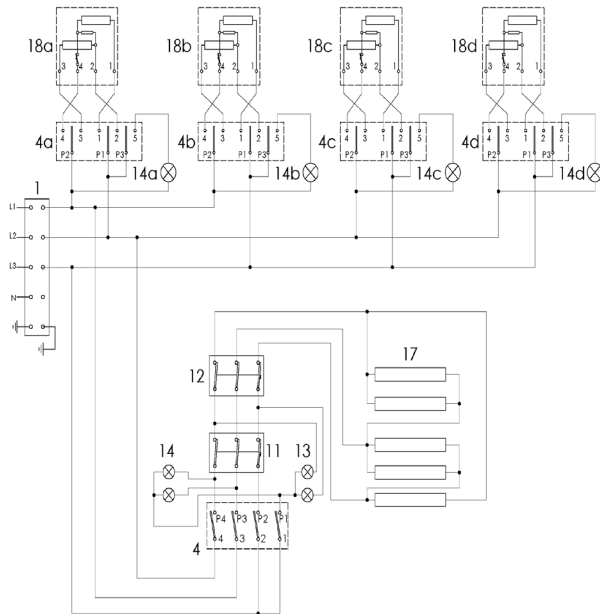


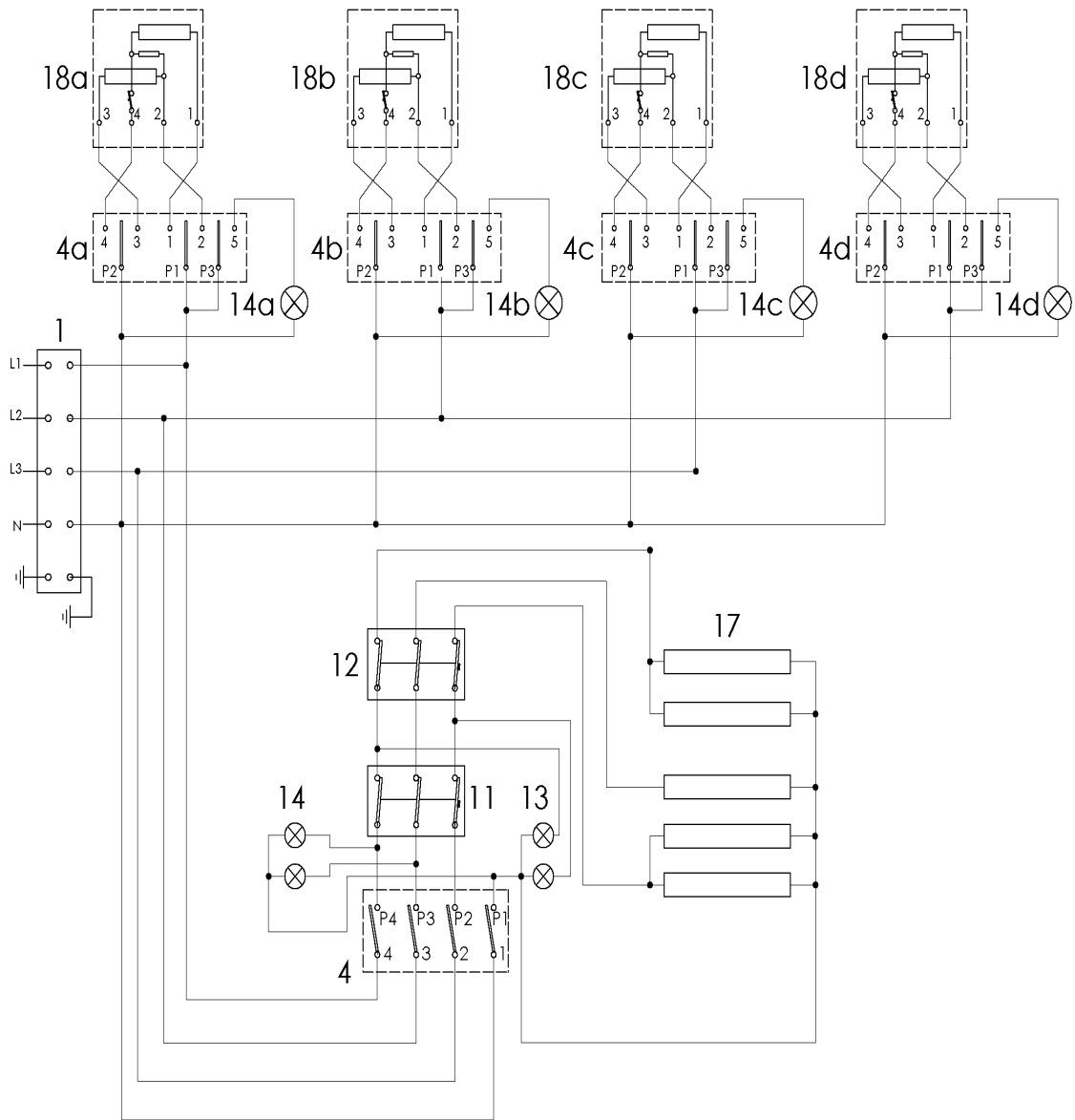
СХЕМА ПОДКЛЮЧЕНИЯ

SP(Q,L)T 90/80 - 21 E



SP(Q,L)T 90/80 - 21 E (230V/3)





1	ТЕРМИНАЛ
2	ПЕРЕКЛЮЧАТЕЛЬ 0 / I
3	ВЫКЛЮЧАТЕЛЬ С ПОДСВЕТКОЙ 0 / I
4	ПЕРЕКЛЮЧАТЕЛЬ ПОВОРОТНЫЙ
5	КНОПЧНЫЕ ПЕРЕКЛЮЧАТЕЛИ
6	КОНЕЧНОГО ВЫКЛЮЧАТЕЛЯ
7	MICROSWITCH
8	РЕЛЕ
9	КОНТАКТЫ РЕЛЕ
10	TIMER
11	РАБОЧИЙ ТЕРМОСТАТ
12	ЗАЩИТНЫЙ ТЕРМОСТАТ
13	ORANGE
14	ЗЕЛЕНЫЙ СВЕТ
15	ДИОД
16	ВНУТРЕННЕГО ОСВЕЩЕНИЯ
17	НАГРЕВАТЕЛЬНЫЙ ЭЛЕМЕНТ
18	ЭЛЕКТРИЧЕСКАЯ ПЛИТКА
19	ТРАНСФОРМАТОР
20	FUSE
20	RHEOSTAT
22	ТЕРМОПАРЫ
23	ДАТЧИК
24	МОТОР ПОДЪЕМА
25	MOTOR FANS
26	НАЧИНАЯ КОНДЕНСАТОР
27	SPARK PLUG
28	ГАЗОВЫЙ КЛАПАН (SIT)
29	SOCKET
30	ЦИФРОВОЙ ТЕРМОМЕТР
31	БЛОК УПРАВЛЕНИЯ

List of service organizations:

CZ: RM GASTRO CZ s. r. o., Náchodská 818/16, Praha 9

Tel. +420 281 926 604, info@rmgastro.cz, www.rmgastro.cz

SK: RM Gastro Slovakia, Rybárska 1, Nové Město nad Váhom

Tel.: +421 32 7717061, obchod@rmgastro.sk, www.rmgastro.sk

PL: RM GASTRO Polska Sp. z o. o., ul. Skoczowska 94, 43-450 Ustroń

Tel.: +33 854 73 26, www.rmgastro.pl